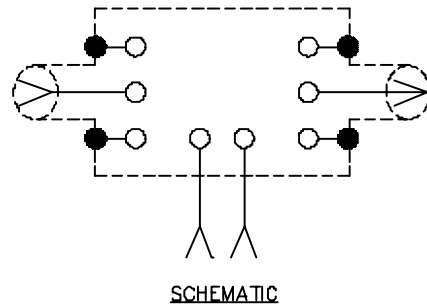
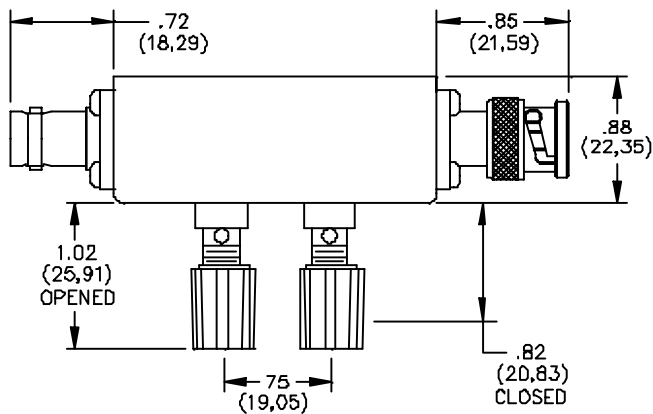
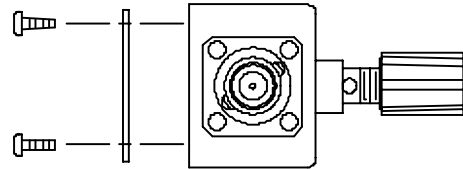
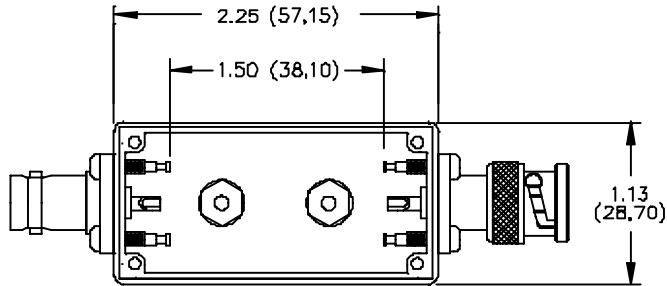




PEWA  
 Messtechnik GmbH  
 Weidenweg 21  
 58239 Schwerte  
 Tel.: 02304-96109-0  
 Fax: 02304-96109-88  
 E-Mail: info@pewa.de  
 Homepage : www.pewa .de

**Model 2393**  
**Size A Aluminum Box With Cover**  
**BNC Female/BNC Male W/Binding Post**



**MATERIALS:**

- Connector: BNC (F)
- Body: Tarnish Resistant Plating, Center Contact: Gold Plated Beryllium Copper
- Screws: Steel, 4 ea. #4-40 x (3/16")
- Shielded Housing: Die cast aluminum alloy A380 or A384
- Finish: Blue paint per Federal Standard 595 #25109 over Phosphoric Etch
- Binding Posts: Insulated. Binding Post Body, brass.
- Insulation: Polycarbonate. Color: One Red and one Black
- Insulating Washer: Nylon
- Cover: .040 Thick aluminum #1100-H14
- Screws: Steel 4 ea. #2-32 x 1/4" Pan Head, self-tapping.

**RATINGS:**

- Voltage: Inner conductor/Shield: 500 VRMS Max.
- Nominal Impedance: 50 Ohms

**ORDERING INFORMATION: Model 2393**

All dimensions are in inches. Tolerances (except noted): .xx = ±.02" (.51 mm), .xxx = ±.005" (.127 mm).  
 All specifications are to the latest revisions. Specifications are subject to change without notice.  
 Registered trademarks are the property of their respective companies. Made in USA

Sales: 800-490-2361 Fax: 888-403-3360  
 Technical Assistance: 800-241-2060

PomonaACCESS 90144 (800) 444-6785 or (425) 446-6010  
 More drawings available at www.pomonaelectronics.com