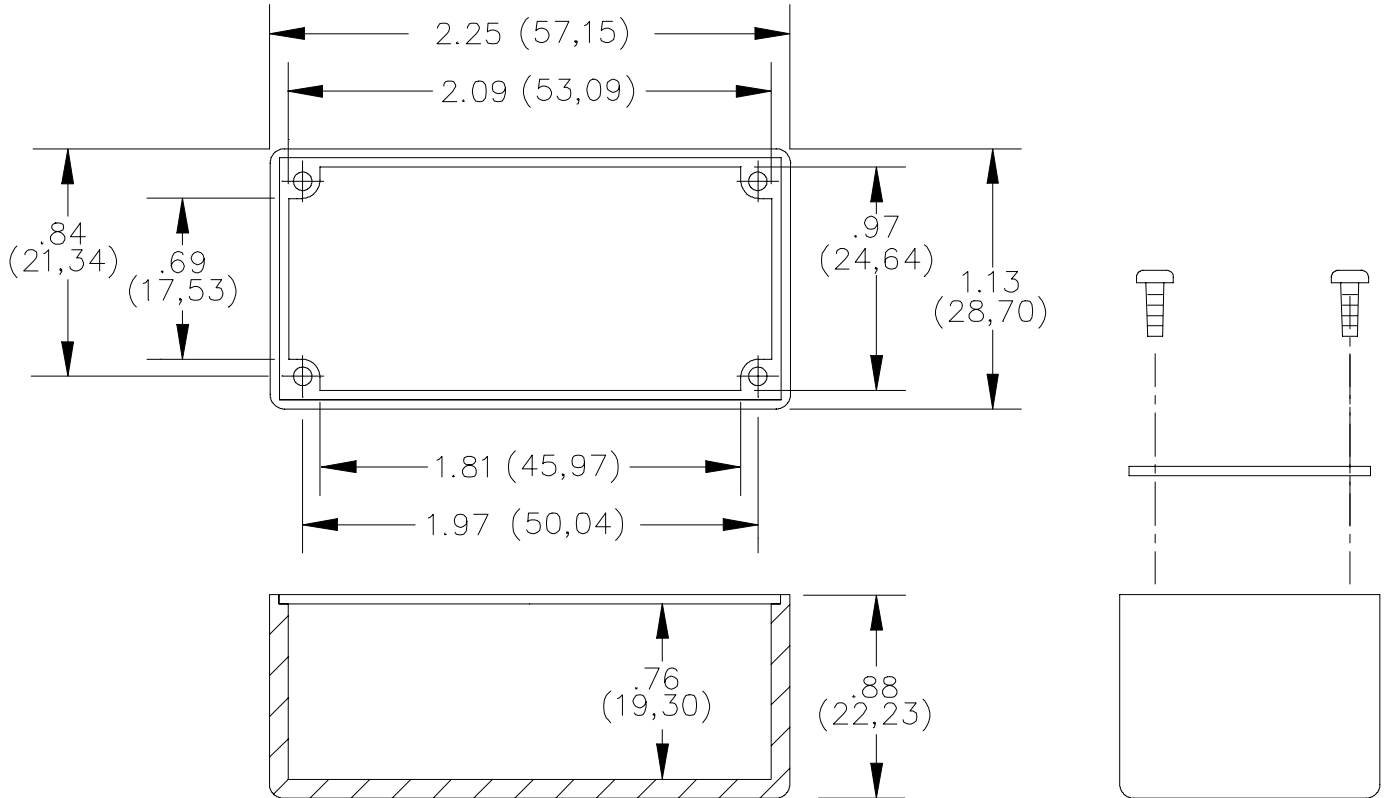




PEWA
 Messtechnik GmbH
 Weidenweg 21
 58239 Schwerte
 Tel.: 02304-96109-0
 Fax: 02304-96109-88
 E-Mail: info@pewa.de
 Homepage : www.pewa.de

Model 2397
Size A Aluminum Box
With Cover



MATERIALS:

Screws: 4 each #2-32 X 1/4" Pan head self tapping, Steel.
 Cover: 1.02 (.040) Thick aluminum alloy 1100-h14, Clear anodized
 Shielded Housing: Die cast aluminum Alloy A380 or A384,
 Blue paint per Fed. Std. 595, Color No. 25109

ORDERING INFORMATION: Model 2397

All dimensions are in inches. Tolerances (except noted): .xx = ±.02" (.51 mm), .xxx = ±.005" (.127 mm).
 All specifications are to the latest revisions. Specifications are subject to change without notice.
 Registered trademarks are the property of their respective companies. Made in USA