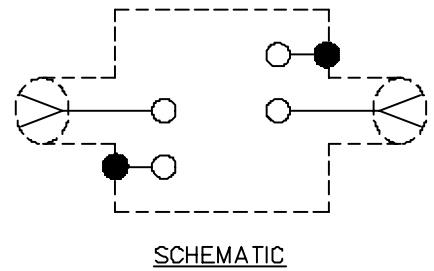
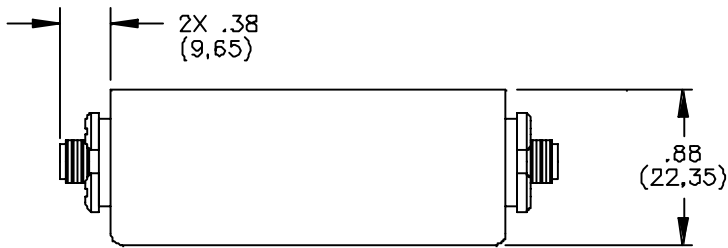
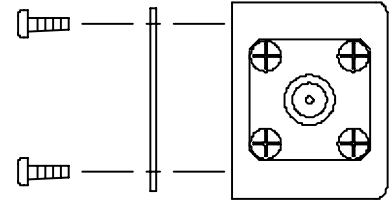
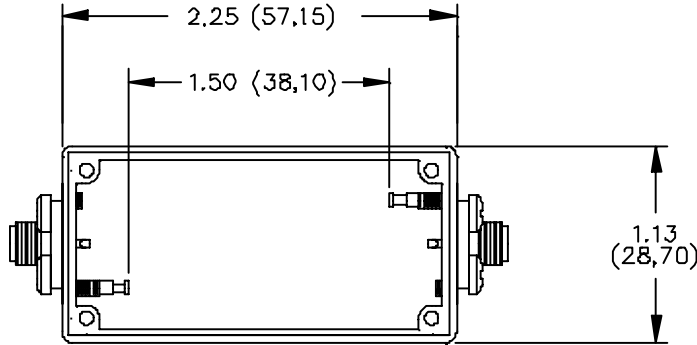




PEWA
 Messtechnik GmbH
 Weidenweg 21
 58239 Schwerte
 Tel.: 02304-96109-0
 Fax: 02304-96109-88
 E-Mail: info@pewa.de
 Homepage : www.pewa .de

Model 2399
Size A Aluminum Box With Cover
SMA Female/Female



MATERIALS:

- Connector: 2 ea. SMA Receptacle. Body: Tarnish Resistant Plating, Center Contact: Gold Plated Beryllium Copper
- Solder Turret Terminal Screws: Steel
- Shielded Housing: Die cast aluminum alloy A380 or A384.
 Finish: Blue paint per Federal Standard 595 #25109 over Phosphoric Etch
- Cover: .040 Thick aluminum alloy #1100-H14
 Finish: Clear Anodized
- Screws: Steel 4 ea. #2-32 x 1/4" Pan Head, self-tapping

RATINGS:

- Operating Voltage: Inner conductor/Shield: 335 VRMS Max.
- Operating Temperature: -55°C to +150°C
- Nominal Impedance: 50 Ohms

ORDERING INFORMATION: Model 2399

All dimensions are in inches. Tolerances (except noted): .xx = ±.02" (.51 mm), .xxx = ±.005" (.127 mm).
 All specifications are to the latest revisions. Specifications are subject to change without notice.
 Registered trademarks are the property of their respective companies. Made in USA

6/9/99

SY/EH/LS

S:\Engineering\Release\DataSheets\FlukeDataSheet\d2399_1_01.doc

Sales: 800-490-2361 Fax: 888-403-3360
Technical Assistance: 800-241-2060

PomonaACCESS 90147 (800) 444-6785 or (425) 446-6010
 More drawings available at www.pomonaelectronics.com