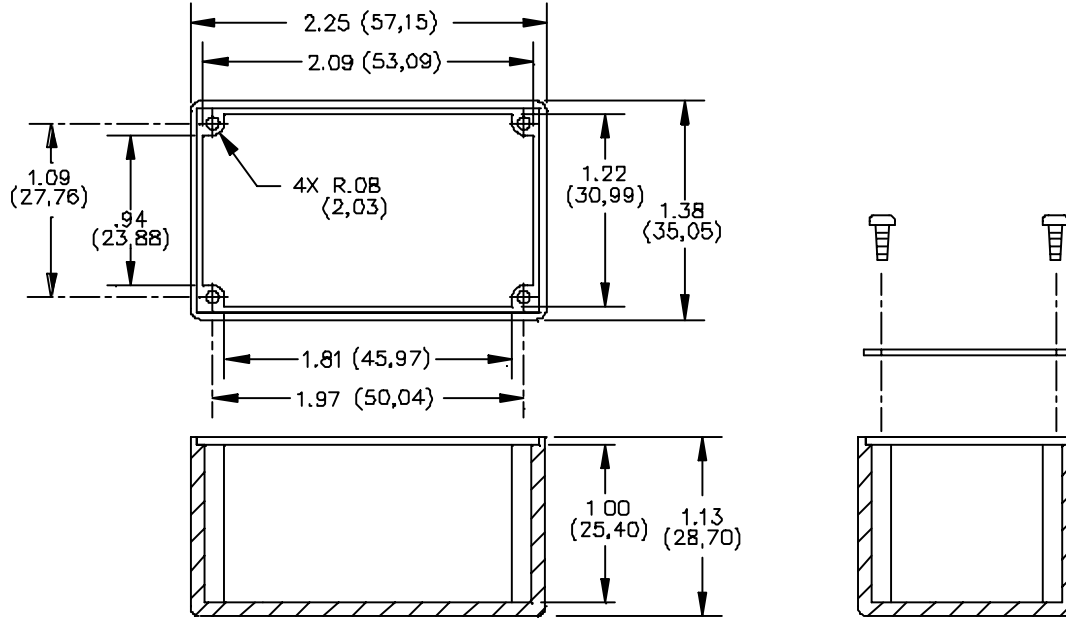


**Model 2428**  
**Size B Aluminum Box With Cover**



**MATERIALS:**

Screws: 4 each #2-32 X 1/4" pan head self tapping, steel

Cover: .04 (1.02) Thick aluminum alloy 1100-H14 per, clear anodized per MIL-A-8625A

Shielded Housing: Die cast aluminum alloy A380 or A384

Finish: None

**ORDERING INFORMATION: Model 2428**

All dimensions are in inches. Tolerances (except noted): .xx = ±.02" (.51 mm), .xxx = ±.005" (.127 mm).  
All specifications are to the latest revisions. Specifications are subject to change without notice.  
Registered trademarks are the property of their respective companies. Made in USA