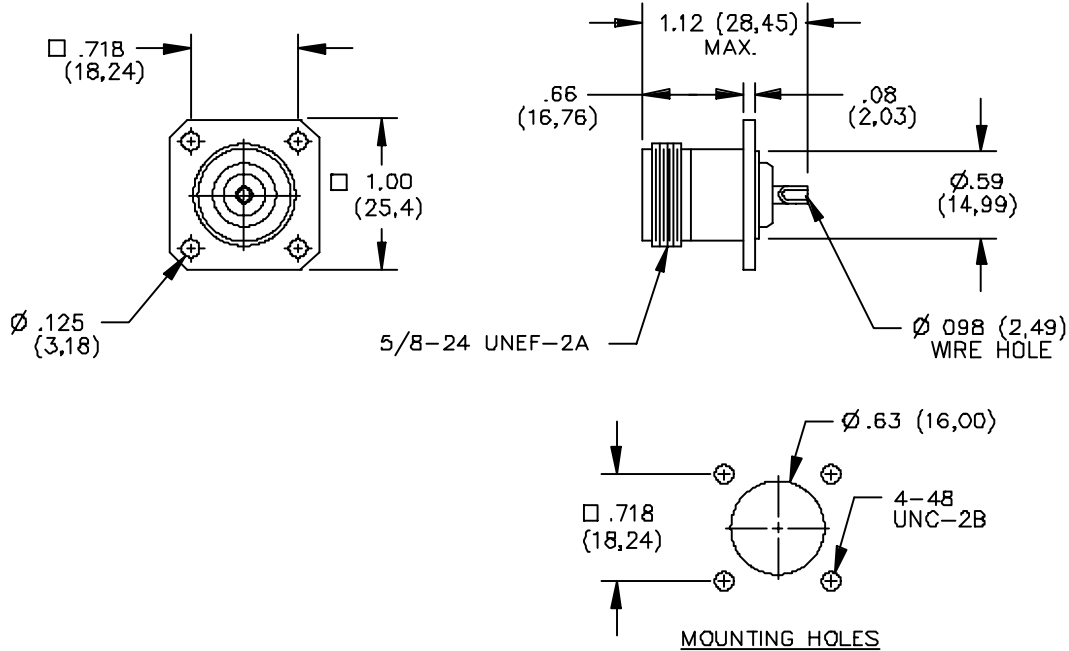


Model 2455
Connector Type N (F)
Panel Receptacle



MATERIALS:

Body: Gold Plated Brass
 Center Contact: Gold Plated Beryllium Copper
 Dielectric: PTFE

Finish:

Body: Tarnish Resistant
 Center Contact: Gold Plated

RATINGS:

Operating Temperature: -65°C (-85°F) to $+165^{\circ}\text{C}$ ($+329^{\circ}\text{F}$)
 Operating Voltage: 1000 VRMS
 Nominal Impedance: 50 Ohms

ORDERING INFORMATION: Model 2455

All dimensions are in inches. Tolerances (except noted): $.xx = \pm .02''$ (.51 mm), $.xxx = \pm .005''$ (.127 mm).
 All specifications are to the latest revisions. Specifications are subject to change without notice.
 Registered trademarks are the property of their respective companies. Made in USA