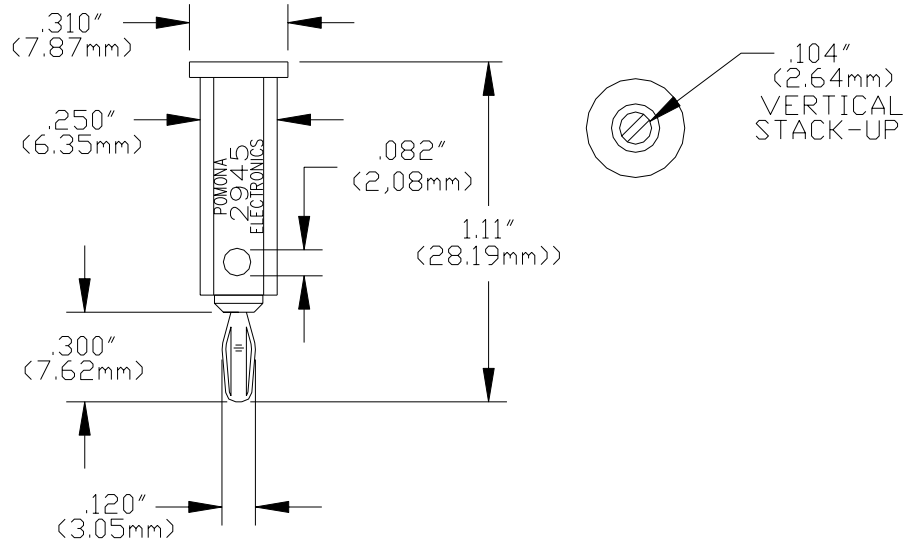


Model 2944 Miniature Solderless Stackup Banana Plug



FEATURES:

- ✓ Wire firmly held in place with internal set screw.

MATERIALS:

Miniature Banana Jack:

Material: Brass per QQ-B-626, Alloy 360, ½ Hard.

Finish: Gold plate per MIL-G-45204, Type II, Class 00 over electroless nickel per MIL-C-26074 Class 1, (.0002/.0003).

Miniature Banana Plug

Material: Plug Body, Brass per QQ-B-626, Alloy 360, ½ Hard.

Spring: Beryllium Copper per QQ-C-533, Alloy 172, Cond. H.T.

Finish: Gold plate per MIL-G-45204, Type II, Class 00 over electroless nickel per MIL-C-26074

Cross Hole: .082" (2.09mm) diameter with #3-56 slotted set screw to secure lead wires.

Insulation: ABS molded to Banana Jack and Banana Plug Body.

RATINGS:

Operating Voltage: Hands free usage in controlled voltage environments: 2500 Vrms maximum. *For CE compliance:* not intended for hand-held use at voltages above 33 Vrms/70 Vdc.

Current: 5 Amperes

Operating Temperature: +122°F (+50°C) Max.

ORDERING INFORMATION:

Model: 2944-0 (Black)

Model: 2944-2 (Red)

All dimensions are in inches. Tolerances (except noted): .xx = ±.02" (.51 mm), .xxx = ±.005" (.127 mm).

All specifications are to the latest revisions. Specifications are subject to change without notice.

Registered trademarks are the property of their respective companies.

Sales: 800-490-2361 Fax: 888-403-3360 Technical Support: 800-241-2060 (technicalsupport@pomonatest.com)

For "Where to Buy" information, visit the Pomona web site at www.pomonaelectronics.com