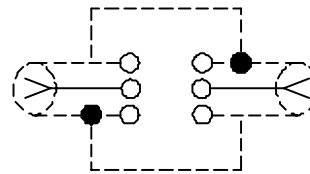
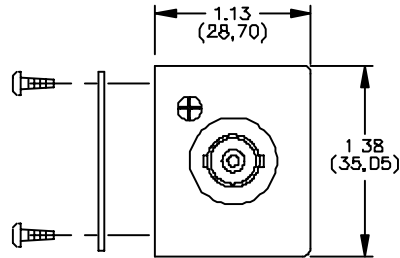
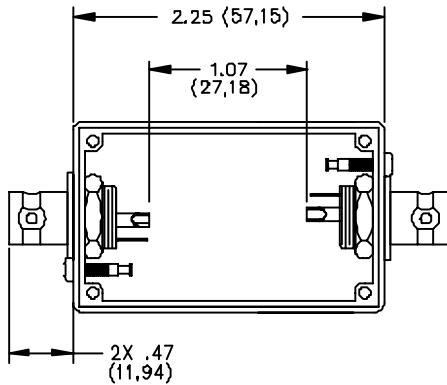




**PEWA**  
 Messtechnik GmbH  
 Weidenweg 21  
 58239 Schwerte  
 Tel.: 02304-96109-0  
 Fax: 02304-96109-88  
 E-Mail: info@pewa.de  
 Homepage : www.pewa .de

**Model 3239**  
**Size B, Isolated BNC Female**  
**Each End With Cover**



SCHEMATIC

**MATERIALS:**

- Connector:
- Body: Tarnish Resistant Plating, Center Contact: Gold Plated Beryllium Copper
- Solder Turret Terminal Screws: Steel
- Shielded Housing: Die cast aluminum Alloy A380 or A384.
- Finish: Blue baked enamel per Federal Standard 595 #25109 over Phosphoric Etch.
- Marking: "Pomona Electronics Calif."
- Cover: 1.02 (.040) thick aluminum 1100-H14
- Finish: Clear anodized.
- Screws: Steel 4 ea. #2-32 x 1/4" Pan Head self-tapping

**RATINGS:**

- Operating Voltage: Inner Conductor/Shield: 500 VRMS Max.
- Operating Temperature: -55°C to +150°C
- Nominal Impedance: 50 Ohms

**ORDERING INFORMATION:** Model 3239

All dimensions are in inches and metric. All specifications are to the latest revisions. Specifications are subject to change without notice. Registered trademarks are the property of their respective companies. Made in USA

**Sales: 800-490-2361 Fax: 888-403-3360**  
**Technical Assistance: 800-241-2060**