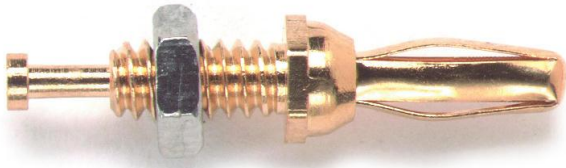


Model 3276 & 4513 Miniature Banana Plug with Threaded Stud



Model	"X" Dimension
3276	.23" (5,8mm)
4513	.48" (12,2mm)

Minimum Panel Thickness is 0.030" (0.76mm)

Features

- Threaded stud enables fast and easy mounting to panels.
- Solder turret allows wire attachment.
- Miniature banana plug features gold plated Beryllium Copper for long insertion life and low contact resistance.

Materials

Miniature Banana Plug:

Spring: Beryllium Copper, Gold Plated

Body: Brass, Gold Plated

Hex Nut: 4-40 Nut, Brass, Nickel Plated

Ratings

Operating Voltage: 2500 VDC

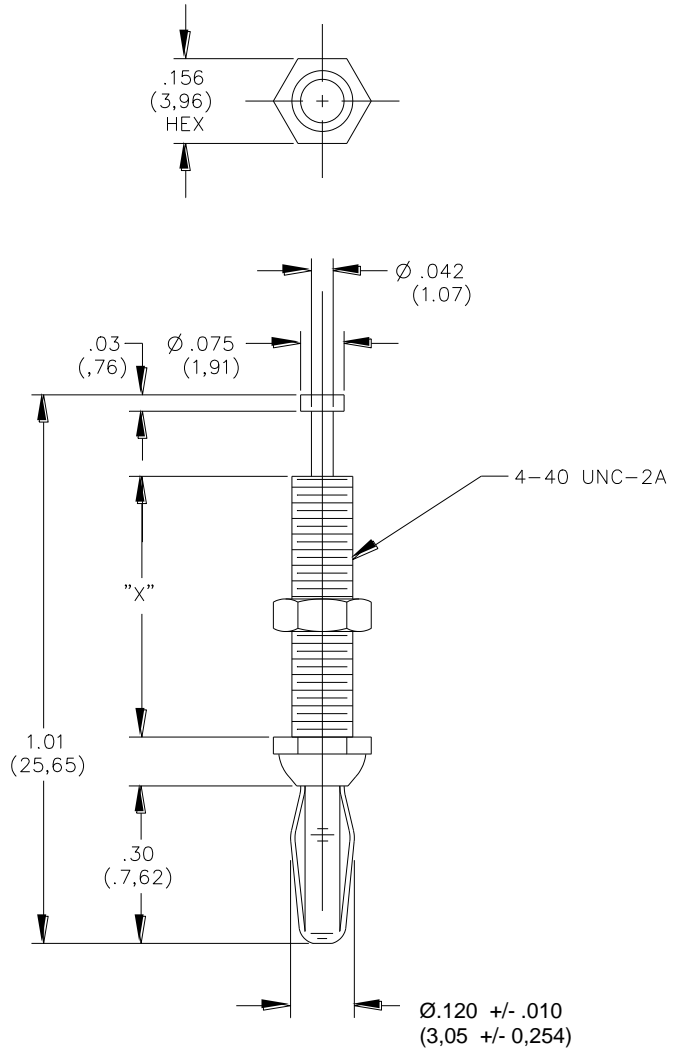
Current: 5 Amperes Max.

Ordering Information

Model 3276

Model 4513

Parts are packaged ten per bag, unassembled.



USA: Sales: 800-490-2361
Technical Support: technicalsupport@pomonatest.com
Fax: 425-446-5844

Europe: 31-(0) 40 2675 150 **International:** 425-446-5500

Where to Buy: www.pomonaelectronics.com

All dimensions are in inches. Tolerances (except noted): .xx = ±.02" (.51 mm), .xxx = ±.005" (.127 mm). All specifications are to the latest revisions. Specifications are subject to change without notice. Registered trademarks are the property of their respective companies.