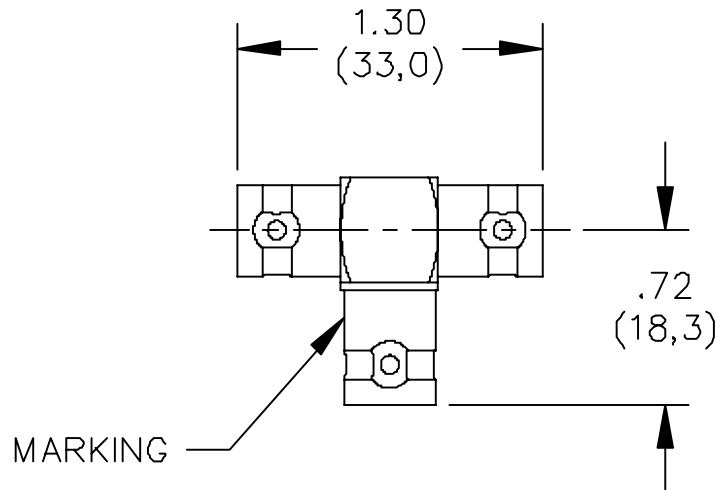


Model 3284
Adapter, BNC "T"
Female-Female-Female



MATERIALS:

Body and Fittings – Brass, Tarnish Resistant Plating, Center Contact – Gold Plated Beryllium Copper

Dielectric: PTFE

Marking: "Pomona 3284"

RATING:

Operating Voltage: Shield/Earth: 30VAC/60VDC Max.

Inner Conductor/Shield: 500VRMS Max.

Operating Temperature: -65°C to +165°C

Nominal Impedance: 50 Ohms

ORDERING INFORMATION: Model 3284

All dimensions are in inches and metric. All specifications are to the latest revisions. Specifications are subject to change without notice.
Registered trademarks are the property of their respective companies. Made in USA