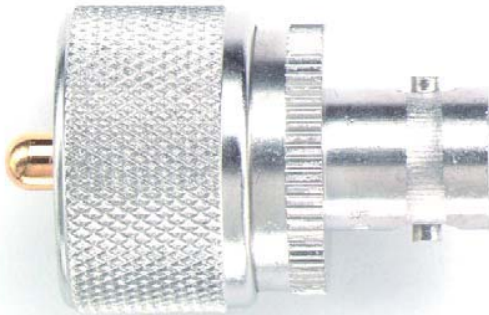
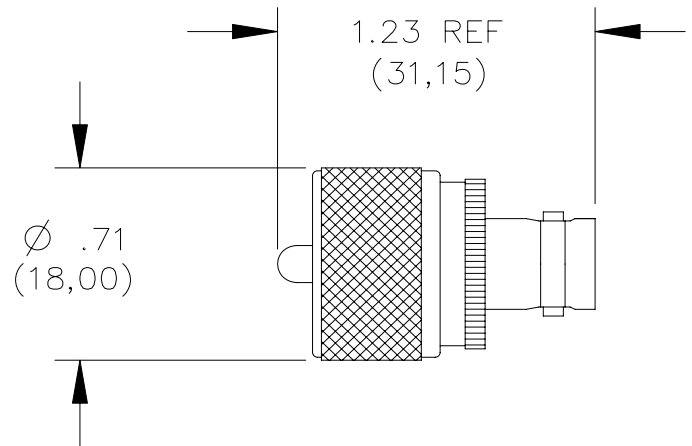


Model 3286 Adapter, BNC (Female) to UHF (Male)



Model 3286
Adapter, BNC (Female) to UHF (Male)



Materials

Body and Fittings – Brass, Tarnish Resistant Plating, Center Contact – Gold Plated Brass
Dielectric: PTFE

Ratings

Voltage: For *CE Compliance* and for personal safety, do not hold in hand when voltages exceed 33 Vrms/70 Vdc.
Maximum voltage for *hands free use*: 500 Vrms Max.
Operating Temperature: -55°C (-67°F) to +85°C (185°F)
Nominal Impedance: 50 Ohms

Ordering Information

Model: 3286

USA: Sales: 800-490-2361
Technical Support: technicalsupport@pomonaest.com
Fax: 425-446-5844
Europe: 31-(0) 40 2675 150 **International:** 425-446-5500
Where to Buy: www.pomonaelectronics.com

All dimensions are in inches. Tolerances (except noted): .xx = ±.02" (.51 mm),
.xxx = ±.005" (.127 mm). All specifications are to the latest revisions.
Specifications are subject to change without notice. Registered trademarks are
the property of their respective companies.