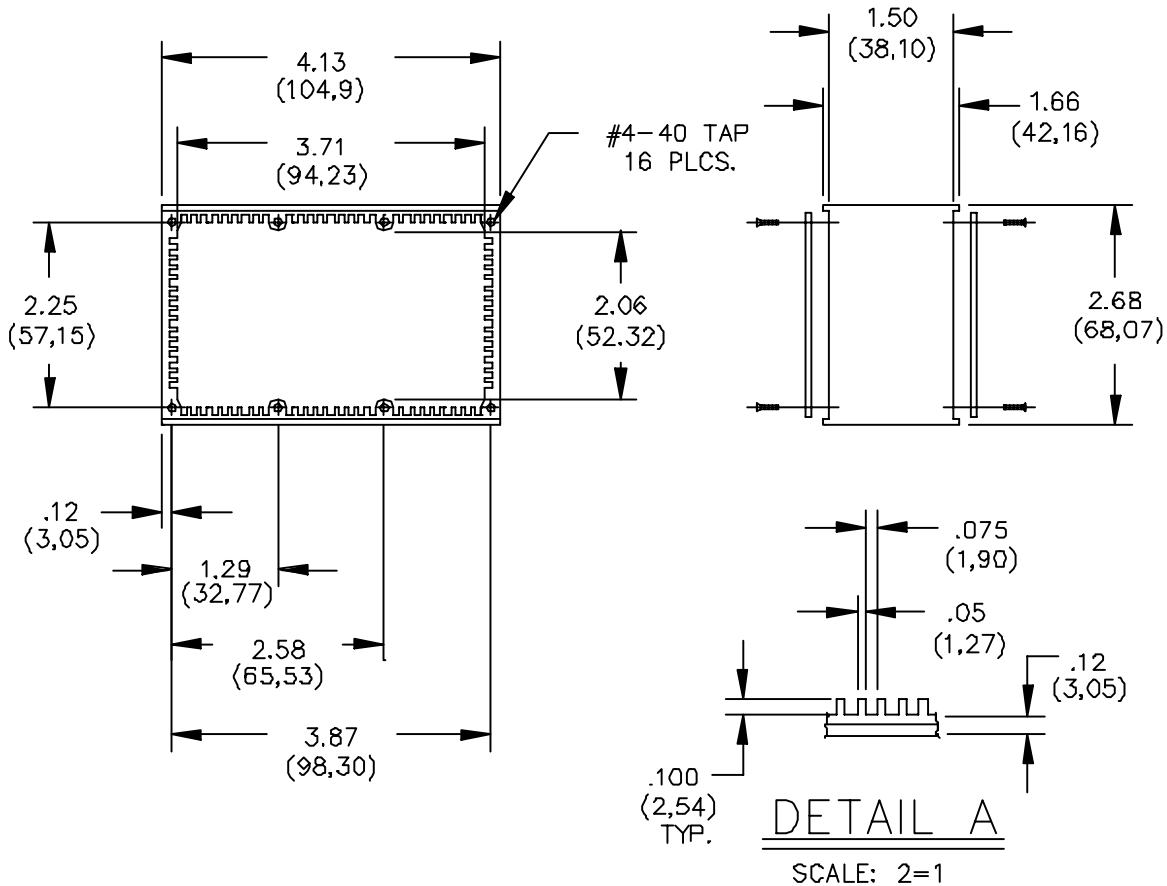




**PEWA**  
 Messtechnik GmbH  
 Weidenweg 21  
 58239 Schwerte  
 Tel.: 02304-96109-0  
 Fax: 02304-96109-88  
 E-Mail: info@pewa.de  
 Homepage : www.pewa.de

**Model 3306**  
**Shielded Aluminum Box Size F**  
**Unfinished**



**MATERIALS:**

Shielded Housing: Extruded Aluminum, Alloy 6063-T5

Finish: None

Cover: 2 each, 2.03 (.080) thick Aluminum, Alloy #1100-H14

Finish: Clear anodized per MIL-A-8625

Cover Screws: 16 each #4-40 x 6.35 (1/4") Flat head, carbon steel with blue zinc plating.

**RATINGS:**

Operating Temperature: -55°C to +150°C (-67°F to +302°F)

Noise Rejection: Greater than 70 dB.

**ORDERING INFORMATION:** Model 3306

All dimensions are in inches. Tolerances (except noted): .xx = ±.02" (.51 mm), .xxx = ± .005" (.127 mm).  
 All specifications are to the latest revisions. Specifications are subject to change without notice.  
 Registered trademarks are the property of their respective companies.

Made in USA

6/9/99

SY/EH/LS

S:\Engineering\Release\DataSheets\FlukeDataSheet\3306\_1\_01.doc

**Sales: 800-490-2361 Fax: 888-403-3360**  
**Technical Assistance: 800-241-2060**

PomonaACCESS 90187 (800) 444-6785 or (425) 446-6010  
 More drawings available at [www.pomonaelectronics.com](http://www.pomonaelectronics.com)