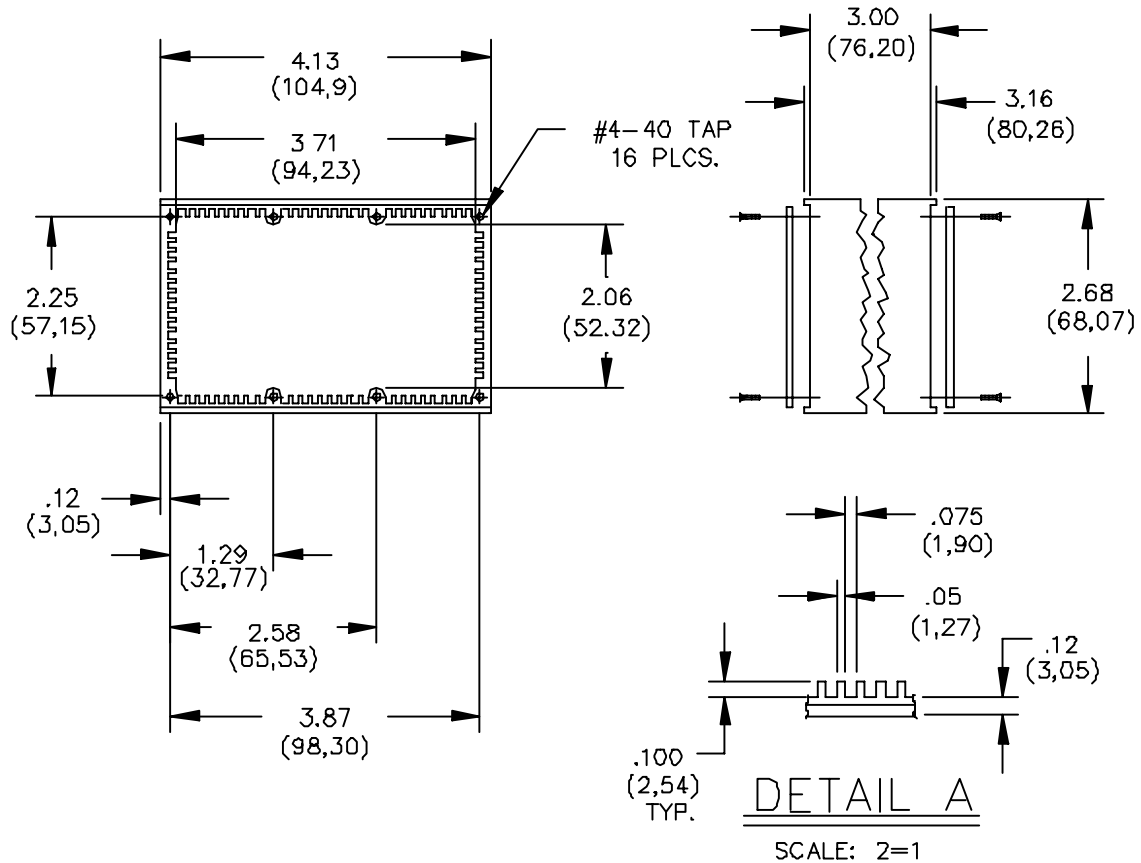


Model 3316 Extruded Aluminum Box Unfinished



MATERIALS:

Shielded Housing: Extruded Aluminum, Alloy 6063-T5

Finish: None

Cover: 2 each, 2.03 (.080) thick Aluminum, Alloy #1100-H14

Finish: Clear anodized per MIL-A-8625

Screws: 16 each #4-40 x 6.35 (1/4" Flat head per MS 35190-221 with clear irridite dip

RATINGS:

Operating Temperature: -55°C to +150°C (-67°F to +302°F)

ORDERING INFORMATION: Model 3316

All dimensions are in inches. Tolerances (except noted): .xx = ±.02" (.51 mm), .xxx = ±.005" (.127 mm).

All specifications are to the latest revisions. Specifications are subject to change without notice.

Registered trademarks are the property of their respective companies.

Made in USA