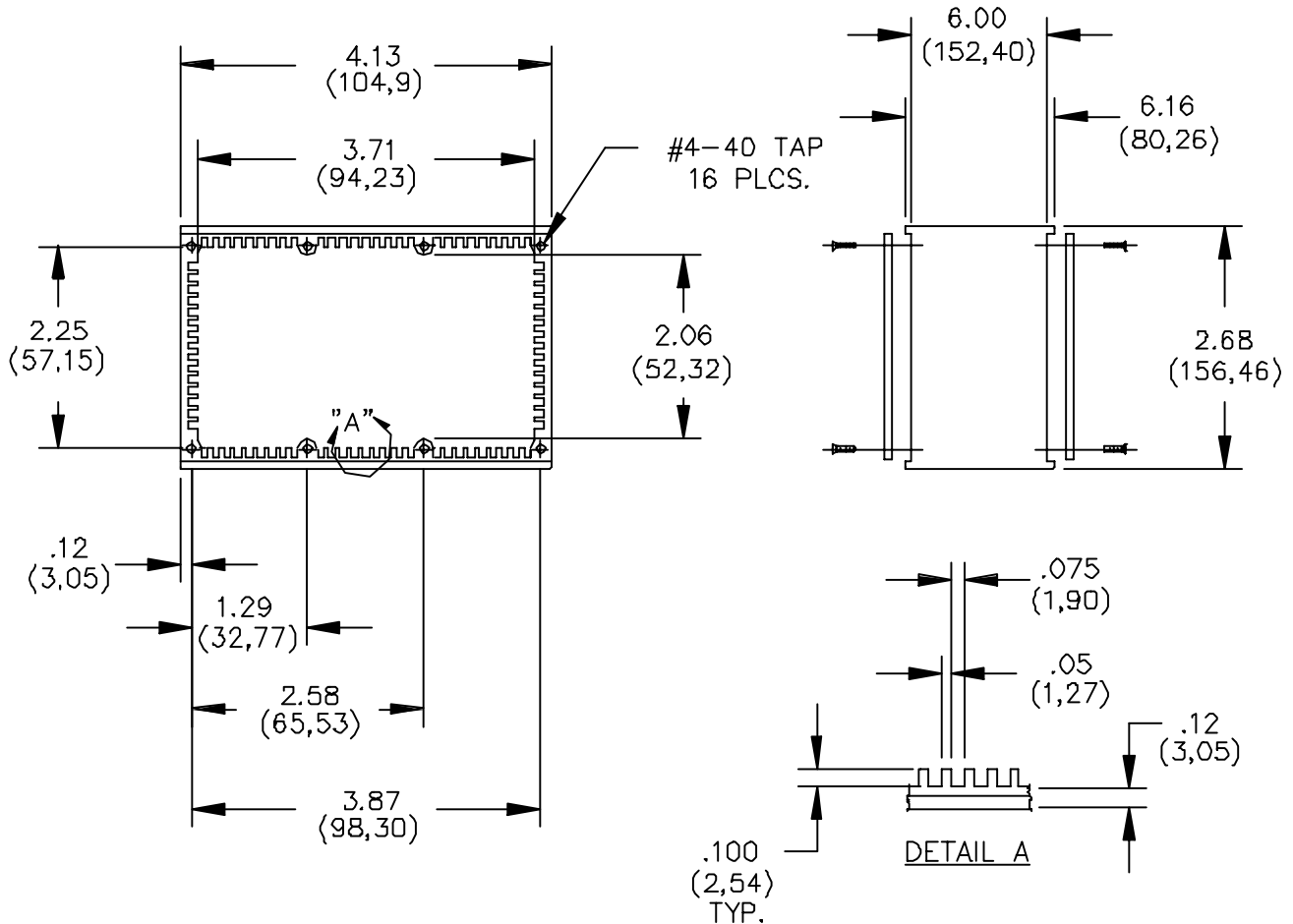


Model 3742 Shielded Housing, Size H, With Card Guides



MATERIALS:

Shielded Housing: Extruded Aluminum, Alloy 6063-T5

Finish: Blue baked enamel per Federal Standard 595 #25109 over primer wash per DOD-P-15328

Cover: 2 Each 2.03 (.080) thick aluminum, Alloy 1100-H14

Finish: Clear anodized per MIL-A-8625

Screws: 16 each #4-40 x 6.35 (1/4") Flat head

Finish: Blue zinc plated

RATINGS:

Operating Temperature: +150°C (+302°F) Max.

ORDERING INFORMATION: Model 3742

All dimensions are in inches. Tolerances (except noted): .xx = ±.02" (.51 mm), .xxx = ±.005" (.127 mm).

All specifications are to the latest revisions. Specifications are subject to change without notice.

Registered trademarks are the property of their respective companies. Made in USA