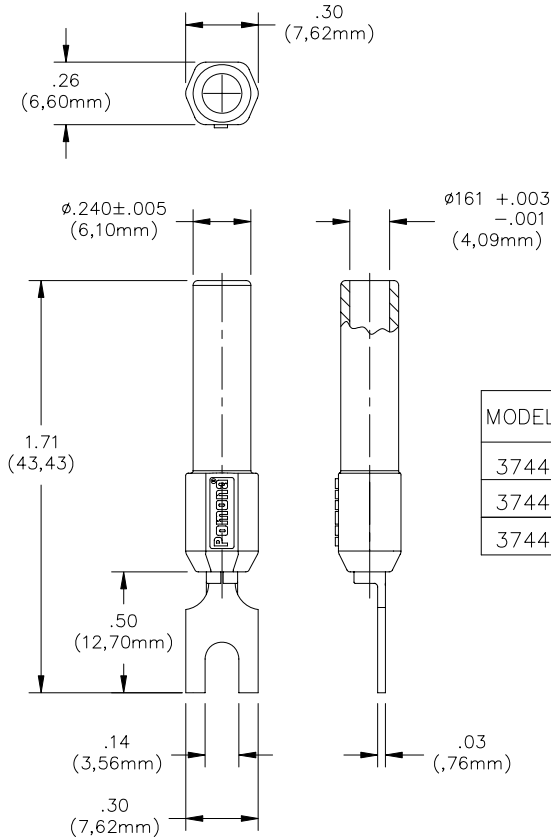




PEWA
 Messtechnik GmbH
 Weidenweg 21
 58239 Schwerte
 Tel.: 02304-96109-0
 Fax: 02304-96109-88
 E-Mail: info@pewa.de
 Homepage: www.pewa.de

Technical Data Sheet

Model 3744A Spade Lug to Banana Jack



MODEL NO.	SPECIFY COLOR	LUG SIZE
3744A-0	BLACK	#4, #5, #6
3744A-2	RED	#4, #5, #6
3744A-02 SET 1 RED 1 BLACK		

MATERIALS:

1st End: Banana Jack

Material: Brass per QQ-B-626, Alloy 360, ½ Hard.

Finish: Nickel plated per Q-N-290, Class 2, 200/300 microinches.

Insulation: Polypropylene (Fire Retardant) molded to Banana Jack Body. Color: See Tab Block.

Marking: "POMONA"

2nd End: Spade Lug

Material: Copper.

Finish: Electro-tin plated.

RATINGS:

Operating Temperature: +50° C (+122° F) Max.

Operating Voltage: 5000 VDC

Current: 15 Amperes

ORDERING INFORMATION:

See table above

USA: Sales: 800-490-2361
 Technical Support: technicalsupport@pomonatest.com
 Fax: 425-446-5844
Europe: 31-(0) 40 2675 150 **International:** 425-446-5500
Where to Buy: www.pomonaelectronics.com

All dimensions are in inches. Tolerances (except noted): .xx = ±.02" (.51 mm),
 .xxx = ± .005" (.127 mm). All specifications are to the latest revisions.
 Specifications are subject to change without notice. Registered trademarks are
 the property of their respective companies.