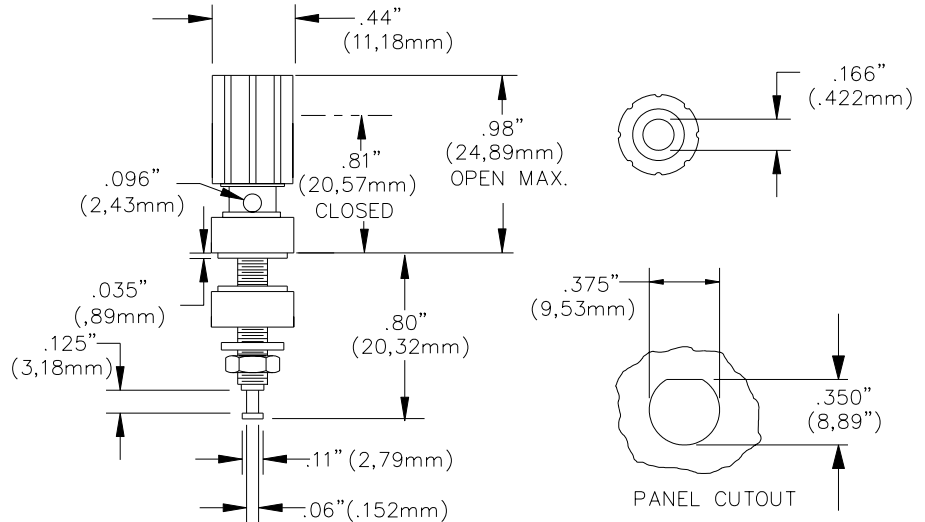


Model 3750, 3760 & 3770 Standard Binding Post



FEATURES:

- ✓ Accepts standard banana plug, wire or spade lug.
- ✓ Mounts in panels from .070" to .250" (1.77mm to 6.35mm) thick.

MATERIALS:

Insulated Captive Thumb Nut: Brass

Insulation: Polycarbonate

Mounting Base: Polycarbonate

Insulator: Polycarbonate

Lockwasher: Nickel Plated Steel

Hex Nut: ¼" #8-32 Nickel Plated Brass

Binding Post:

Finish: 3750 – Gold plated brass, 3760 – Bright tin plated brass, 3770 – Gold plated Tellurium Copper

RATINGS:

Operating Voltage: Hands free usage in controlled voltage environments: 2500 Vrms maximum. *For CE compliance:* not intended for hand-held use at voltage above 33 Vrms/70 Vdc.

Operating Temperature: +239°F (+115°C) Max.

Current: 15 Amperes

ORDERING INFORMATION:

Model: 3750-**Color** (Gold plated brass) Available in **Colors*** =: 0 (Black), 2 (Red), 3 (Orange), 4 (Yellow), 5 (Green), 6 (Blue), 9 (White)

Model: 3760-**Color** (Bright tin plated brass) Available in **Colors** =: 0 (Black), -2 (Red) 3 (Orange), 4 (Yellow), 5 (Green), 6 (Blue), 7 (Violet), 8 (Gray), 9 (White)

Model: 3770-**Color** (Gold Plated Tellurium Copper) **Colors*** =: 0 (Black), -2 (Red) 8 (Gray), 9 (White)

*Upon request other colors can be quoted.

All dimensions are in inches. Tolerances (except noted): .xx = ±.02" (.51 mm), .xxx = ±.005" (.127 mm).

All specifications are to the latest revisions. Specifications are subject to change without notice.

Registered trademarks are the property of their respective companies.

Sales: 800-490-2361 Fax: 888-403-3360 Technical Support: 800-241-2060 (technicalsupport@pomonaest.com)
For "Where to Buy" information, visit the Pomona web site at www.pomonaelectronics.com