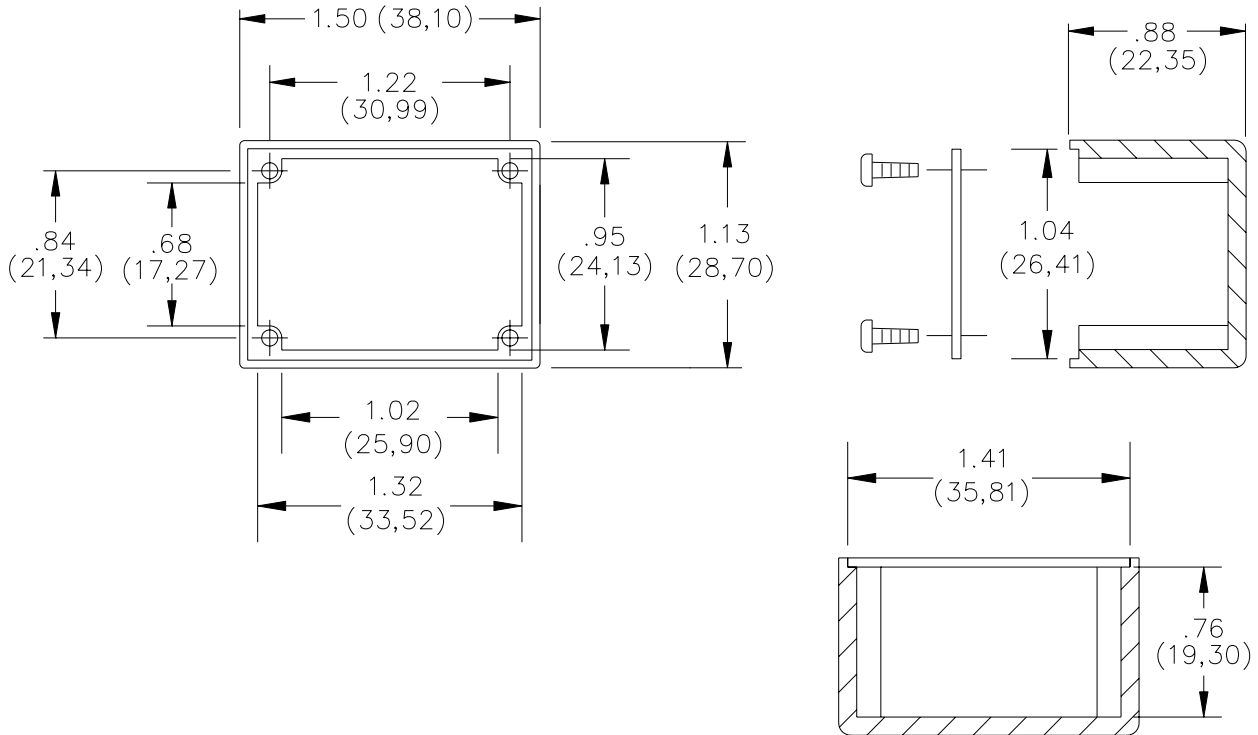


## Model 3753 Miniature Size Aluminum Box with Cover



### MATERIALS (item included):

*Housing:* Die cast aluminum, alloy A380 or A384.

- Finish: Blue baked enamel paint per Federal Standard 595 #25109 over Phosphoric Etch

*Cover:* .040" (1,01mm) thick aluminum #1100-H14

- Finish: Clear anodized

*Screws:* Steel, 4 ea. #2-32 x 1/4" Pan-held self-tapping.

### ORDERING INFORMATION: Model 3753

#### Replacement and optional items:

Model 4742 Replacement Cover  
Model 4864 Replacement Cover Screws (100/pkg)  
Model 2352 Connector Screws with Turret  
Model 3729 Flange Mounting Cover

#### Optional Box Variations:

Model 3754 Die cast aluminum not finished  
Model 3751 BNC (f), and BNC (f), one on each end.  
Model 3752 BNC (m), and BNC (f), one on each end.

All dimensions are in inches. Tolerances (except noted): .xx = ±.02" (.51 mm), .xxx = ±.005" (.127 mm).

All specifications are to the latest revisions. Specifications are subject to change without notice.

Registered trademarks are the property of their respective companies.

Sales: 800-490-2361 Fax: 888-403-3360 Technical Assistance: 800-241-2060  
For "Where to Buy" information, visit the Pomona web site at [www.pomonaelectronics.com](http://www.pomonaelectronics.com)