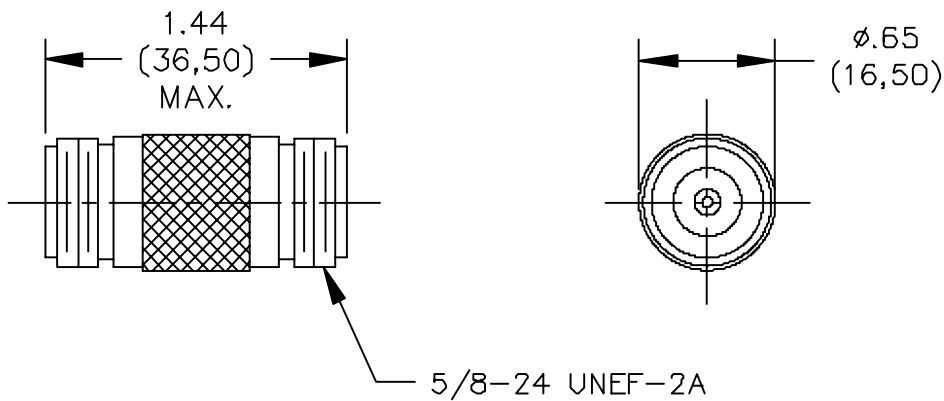


Model 3841
Adapter, N (F) To N (F)



MATERIALS:

Body and Fittings – Brass, White Bronze Plating
Center Contact – Gold Plated Beryllium Copper
Connector meets the interface requirements of MIL-STD-348.

Finish:

Body and Fittings – White Bronze Plating
Center Contact – Gold 30 microinches minimum over nickel 50 microinches.

RATINGS:

Operating Voltage: 1000 VRMS
Nominal Impedance: 50 Ohms
Dielectric – PTFE

ORDERING INFORMATION: Model 3841

All dimensions are in inches. Tolerances (except noted): .xx = ±.02" (.51 mm), .xxx = ± .005" (.127 mm).
All specifications are to the latest revisions. Specifications are subject to change without notice.
Registered trademarks are the property of their respective companies.

Made in USA