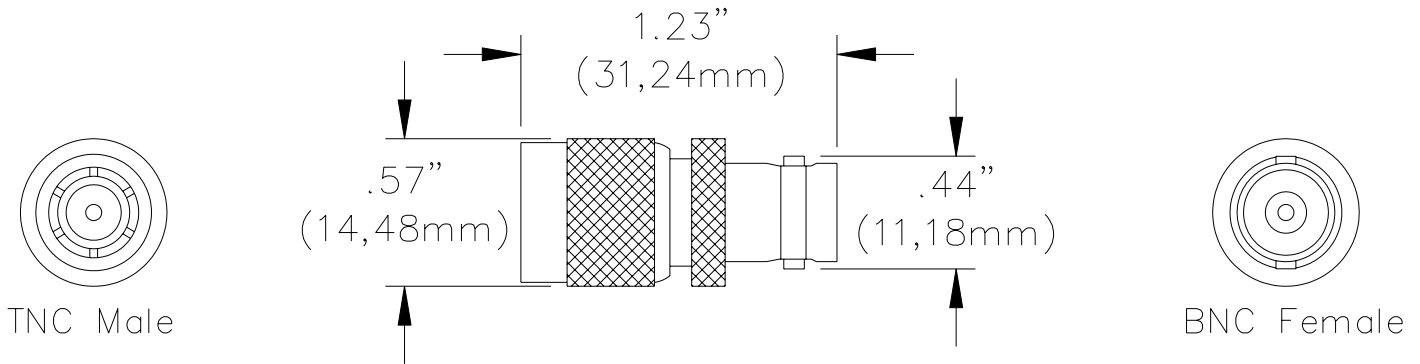


Model 3844
TNC Male To BNC Female
Adapter

MATERIALS:

Body: Tarnish Resistant Nickel Plated Brass

Center Contact:

Male: Gold Plated Brass

Female: Gold Plated Beryllium Copper

Dielectric: Teflon

RATINGS:

Operating Voltage: Hands free usage in controlled voltage environments: 500 Vrms maximum. *For CE compliance: not intended for hand-held use at voltages above 33 Vrms/70 Vdc.*

Nominal Impedance: 50 Ohms

ORDERING INFORMATION:

Model 3844



All dimensions are in inches. Tolerances (except noted): .xx = ±.02" (.51 mm), .xxx = ±.005" (.127 mm).
All specifications are to the latest revisions. Specifications are subject to change without notice.
Registered trademarks are the property of their respective companies.

Sales: 800-490-2361 Fax: 888-403-3360 Technical Support: 800-241-2060 (technicalsupport@pomonatest.com)
For "Where to Buy" information, visit the Pomona web site at www.pomonaelectronics.com