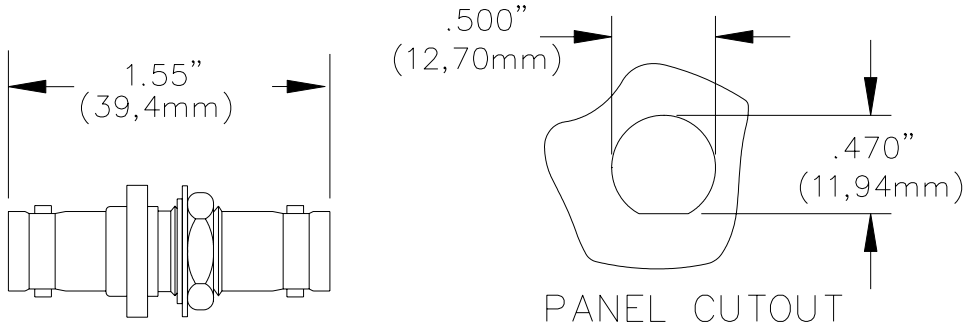


Model 3847
Adapter Hermetic Sealed BNC
Female To Female



FEATURES:

- ✓ Hermetically sealed: Leakage rate less than 10^{-7} cc/sec of tracer gas at one atmosphere.

MATERIALS:

Body and Fittings: Brass, Tarnish Resistant Nickel Plated Brass
 Center Contact: Gold Plated Beryllium Copper
 Dielectric: PTFE

RATINGS:

Operating Voltage: Hands free usage in controlled voltage environments: 500 Vrms maximum. *For CE compliance:* not intended for hand-held use at voltages above 33 Vrms/70 Vdc.
 Operating Temperature: -65°C to +165°C
 Nominal Impedance: 50 Ohms

ORDERING INFORMATION:

Model 3847

All dimensions are in inches. Tolerances (except noted): .xx = ±.02" (.51 mm), .xxx = ± .005" (.127 mm).
 All specifications are to the latest revisions. Specifications are subject to change without notice.
 Registered trademarks are the property of their respective companies.

Sales: 800-490-2361 Fax: 888-403-3360 Technical Support: 800-241-2060 (technicalsupport@pomonaest.com)
 For "Where to Buy" information, visit the Pomona web site at www.pomonaelectronics.com