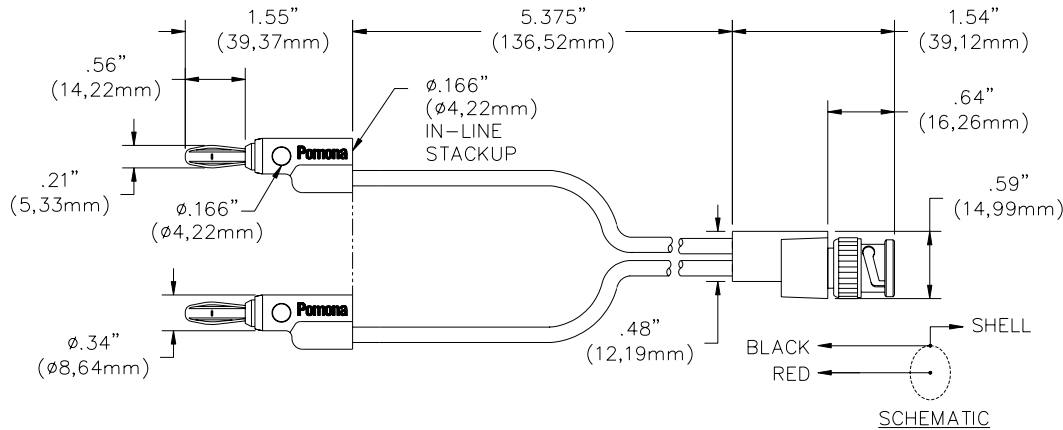


Model 3957 BNC (Male) to Multi-Stacking Banana Plugs



FEATURES:

- Converts BNC (Female) cables/connectors to top/side stackable banana plugs for test versatility.
- BNC connector and banana plugs are molded directly to the wire for pull strength durability and dust/moisture resistance.
- BNC dielectric is PTFE for superior temperature performance
- BNC center contact is gold plated for corrosion resistance, low contact resistance and long insertion life.

MATERIALS:

BNC: Body - Brass, Nickel Plated

Center Contact – Brass, Gold Plated.

Dielectric: PTFE

Wire: 18 AWG, Stranding 65 x 36 T.C., PVC Insulated, .144" (3,66mm) O.D., Color matches banana plugs

Marking: "POMONA 3957"

Banana Plugs: Body – Brass Nickel Plated

Spring – Beryllium Copper, Nickel Plated

Insulation: Polypropylene Color: One Red, One Black

RATINGS:

Operating Voltage: Hand-Held testing: 30VAC/60VDC Max.

Hands free testing in controlled voltage environments: 500 VRMS Max.

Operating Temperature: +55°C (+131°F) Max.

ORDERING INFORMATION: Model 3957

Custom lengths are available, contact Pomona Technical support: 800-241-2060

(Technicalsupport@pomonatest.com)

All dimensions are in inches. Tolerances (except noted): .xx = ±.02" (.51 mm), .xxx = ±.005" (.127 mm).

All specifications are to the latest revisions. Specifications are subject to change without notice.

Registered trademarks are the property of their respective companies.

Sales: 800-490-2361 Fax: 888-403-3360 Technical Assistance: 800-241-2060

For "Where to Buy" information, visit the Pomona web site at www.pomonaelectronics.com