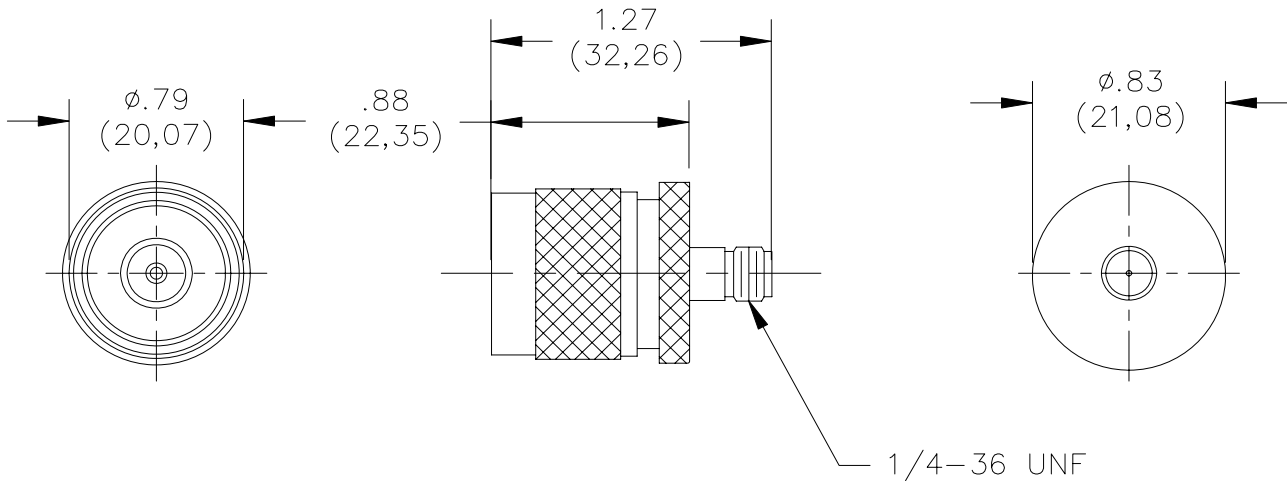


## Model 4297 SMA (F) to Type N (M) Adapter



### Materials

Body: Gold Plated Beryllium Copper  
 Male Contact – Gold Plated Brass  
 Female Contact – Gold Plated Beryllium Copper  
 Dielectric: PTFE per L-P-403  
 Finish: Body and Contacts – Gold Plated per MIL-G-45204, Type II, Class 2  
 Marking: "Pomona 4297"

### Ratings

Operating Voltage:  
 Shield/Earth: 30VAC/60VDC Max.  
 Inner Conductor/Shield: 335VRMS Max.  
 Operating Temperature:  
 -65°C to +165°C (-85°F to +329°F)  
 Nominal Impedance: 50 Ohms  
 Frequency Range: 0 – 12.4 GHz

### Ordering Information

Model: 4297

**USA:** Sales: 800-490-2361  
 Technical Support: [technicalsupport@pomonatest.com](mailto:technicalsupport@pomonatest.com)  
 Fax: 425-446-5844  
**Europe:** 31-(0) 40 2675 150 **International:** 425-446-5500  
**Where to Buy:** [www.pomonaelectronics.com](http://www.pomonaelectronics.com)

All dimensions are in inches. Tolerances (except noted):  $.xx = \pm .02"$  (.51 mm),  
 $.xxx = \pm .005"$  (.127 mm). All specifications are to the latest revisions.  
 Specifications are subject to change without notice. Registered trademarks are  
 the property of their respective companies.