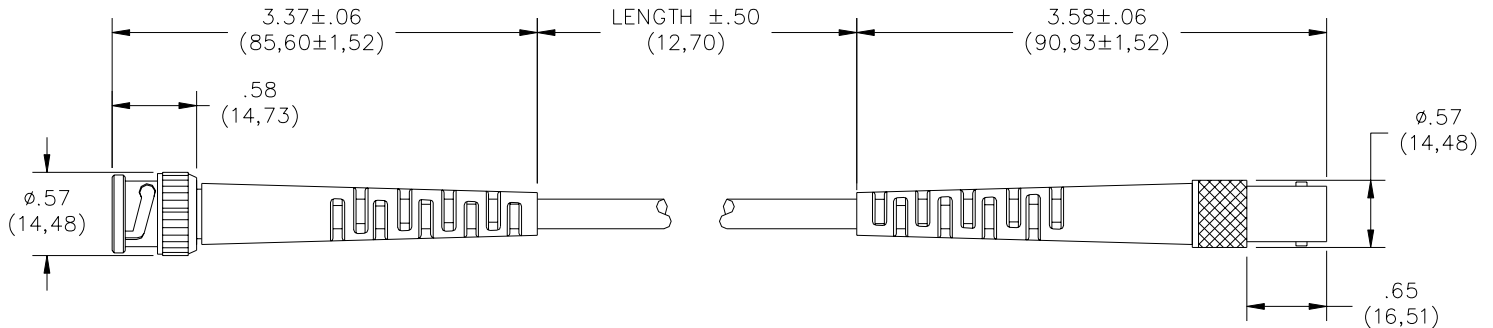


Model 4524 BNC (Male To Female) With Molded Strain Reliefs



FEATURES:

- Attach to BNC (Male or Female) cables to quickly extend at cable lengths.
- BNC Connectors feature tarnish resistant bodies and PTFE dielectrics for optimum performance.
- BNC (Male) center contact is gold plated and the BNC (Female) is gold plated Beryllium Copper for reliable electrical connection.
- Strain Relief's are molded to the connectors and cable to ensure long cable life.

MATERIALS:

BNC Connectors:

Body: Brass, Nickel Plated

Center Contacts: Brass, Gold Plated (Male) Beryllium Copper, Gold Plated (Female)

Dielectric: PTFE

Impedance: 50 Ohm

Strain Relief: PVC Molded to Cable, Color: Black

Marking: "Pomona 4524-C-XX"

Cable: RG58C/U, Impedance: 50 Ohms Nominal, O.D., .195" (5,0 mm), Color: Black,

Capacitance: 30.8 pF/Ft., Marking: "POMONA", "4524-C-XX"

RATINGS:

Voltage: Shield/Earth: 30VAC/60VDC Max.

Inner Conductor/Shield: 500VRMS Max.

Operating Temperature: 50°C (+122°F) Max.

ORDERING INFORMATION: Model 4524-C-XX XX = Cable length

Std. Lengths: 36" (91,44cm), 48" (121,92cm), 60" (152,4cm).

Additional lengths can be quoted upon requested.

Ordering Ex.: 4524-C-60 is a cable with a length of 60" (152,4 cm)

All dimensions are in inches. Tolerances (except noted): .xx = ±.02" (.51 mm), .xxx = ±.005" (.127 mm).

All specifications are to the latest revisions. Specifications are subject to change without notice.

Registered trademarks are the property of their respective companies. Made in USA