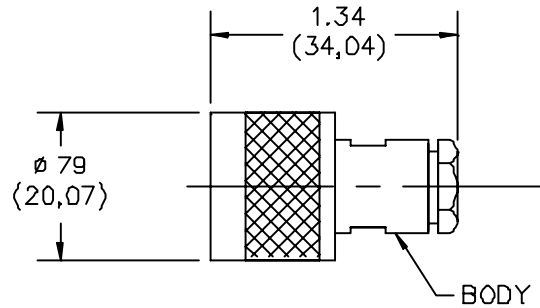


## Model 4787 & Assembly Instructions “N” Male Cable Plug



### FEATURES:

- Cable connection for RG 58 and 142, 223, 141

### MATERIALS:

Body and Fitting – Brass per QQ-B-626, Alloy 360, ½ Hard

Center Contact – Gold Plated Brass per QQ-B-626, Alloy 360, ½ Hard

Dielectric – PTFE

Gaskets and Seals: Silicone Rubber

Finish: Body and Fittings: Tarnish resistant

Center Contact: Gold flash over silver plate per QQ-S-365

### RATINGS:

Nominal Impedance: 50 Ohms

Dielectric Withstanding Voltage: 2500 VRMS, 1 Min., 60 Hz.

### ORDERING INFORMATION: Model 4787

All dimensions are in inches. Tolerances (except noted): .xx = ±.02" (.51 mm), .xxx = ±.005" (.127 mm).

All specifications are to the latest revisions. Specifications are subject to change without notice.

Registered trademarks are the property of their respective companies. Made in USA

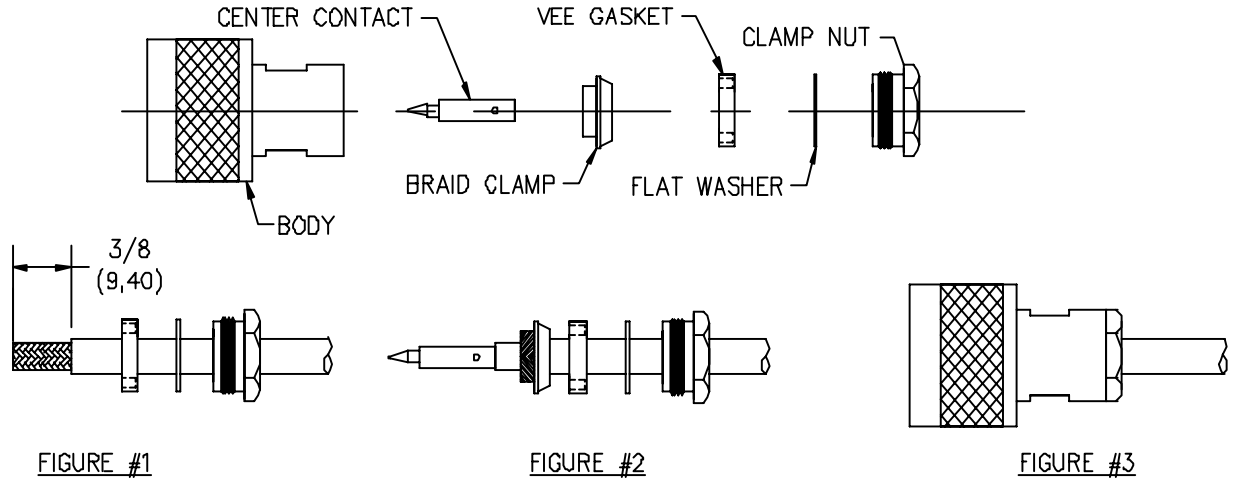


FIGURE #1

FIGURE #2

FIGURE #3

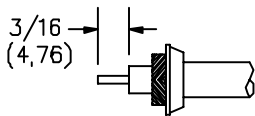


FIGURE #1A

### FIGURE #1

- A. Slide clamp nut, flat washer and Vee gasket over cable.
- B. Strip cable jacket to dimensions shown.

### FIGURE #1A

- C. Slide braid clamp over braid positioned with the inner shoulder against the cable jacket
- D. Fold braid over braid clamp.
- E. Strip Dielectric

### FIGURE #2

- F. Solder center contact to cable center conductor.

### FIGURE #3

- G. Slide clamp nut, flat washer and Vee gasket forward against braid clamp.
- A. Place connector body over end of cable, thread clamp nut into body and tighten.

All dimensions are in inches. Tolerances (except noted): .xx = ±.02" (.51 mm), .xxx = ±.005" (.127 mm).  
 All specifications are to the latest revisions. Specifications are subject to change without notice.  
 Registered trademarks are the property of their respective companies. Made in USA