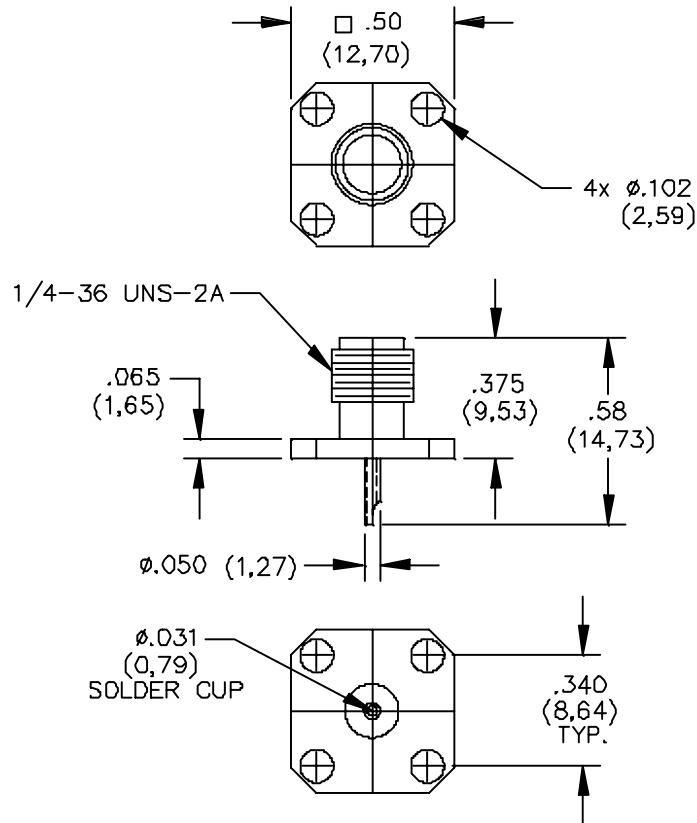


Model 4850 SMA Female Panel Receptacle



MATERIALS:

Body and Fittings – Stainless Steel
 Center Contact – Beryllium Copper
 Dielectric – Teflon
 Finish: Body and Center Contact – Gold Plated

RATINGS:

Operating Temperature: -65°C (-85°F) to +165°C (+329°F)
 Operating Voltage: 335 VRMS
 Nominal Impedance: 50 Ohms
 Frequency Range; DC to 18 GHz

Connectors meet the interface requirement of MIL-C-39012

ORDERING INFORMATION: Model 4850

All dimensions are in inches. Tolerances (except noted): .xx = ±.02" (.51 mm), .xxx = ±.005" (.127 mm).
 All specifications are to the latest revisions. Specifications are subject to change without notice.
 Registered trademarks are the property of their respective companies.

Made in USA