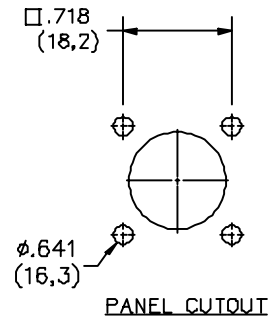
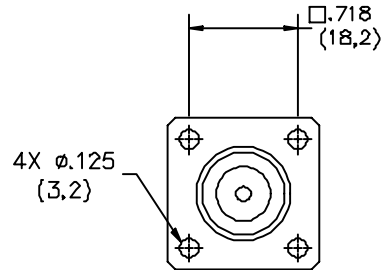
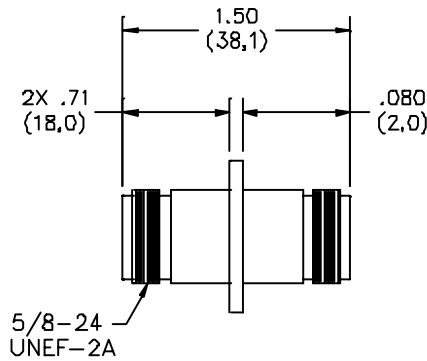


**Model 4956**  
**Connector**  
**N(F) To N(F), Panel Mount**



**MATERIALS:**

Body: Brass, White Bronze Plating  
 Center Contact: Gold Plated Beryllium copper  
 Dielectric : PTFE

Finish: Body – Tarnish resistant

Center Contact – Gold Plated

Marking: “POMONA 4956” located approximately as shown.

**RATINGS:**

Operating Voltage: 1000 VRMS

Impedance: 50 Ohms

**ORDERING INFORMATION:** Model 4956

All dimensions are in inches. Tolerances (except noted): .xx = ±.02” (.51 mm), .xxx = ± .005” (.127 mm).  
 All specifications are to the latest revisions. Specifications are subject to change without notice.  
 Registered trademarks are the property of their respective companies.

Made in USA