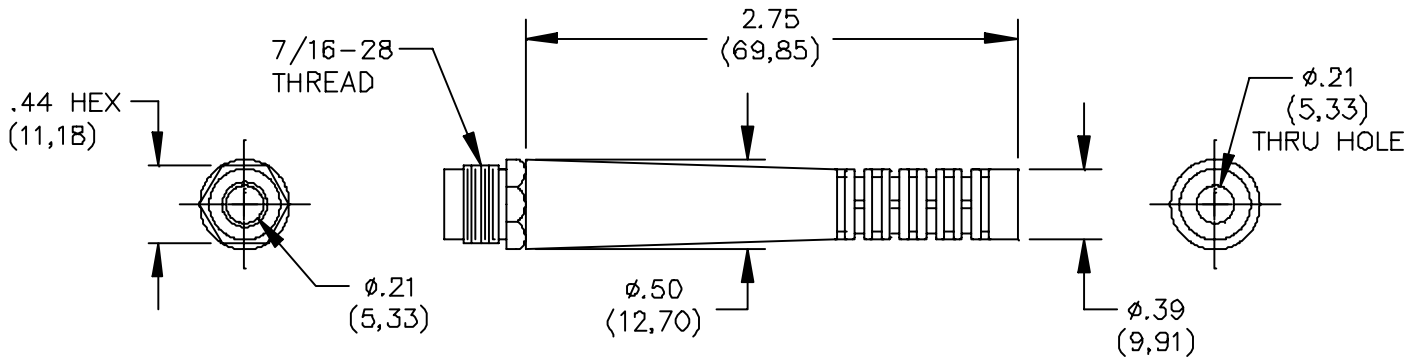


## Model 5076 Strain Relief Boot With Clamp Nut



### FEATURES:

- Use with RG58 and RG141 cable.
- Use with connectors having 7/16 - 28 clamp nut threads.

### MATERIALS:

Clamp Nut: Brass Per QQ-B-626, Alloy 360, ½ Hard

Boot: PVC, Color: See ordering information

Finish: Clamp Nut: Brass, Nickel Plate Per QQ-N-290, .0002" Min.

### RATINGS:

Operating Temperature: +50°C.(+122°F.) Max.

Operating Voltage: 500 VRMS

### ORDERING INFORMATION: Model 5076 -\*

\*= Color, -0 Black, -2 Red

Ordering Example: 5076-2, Color is Red

Additional Colors can be quoted upon request.

All dimensions are in inches. Tolerances (except noted): .xx = ±.02" (.51 mm), .xxx = ± .005" (.127 mm).

All specifications are to the latest revisions. Specifications are subject to change without notice.

Registered trademarks are the property of their respective companies. Made in USA