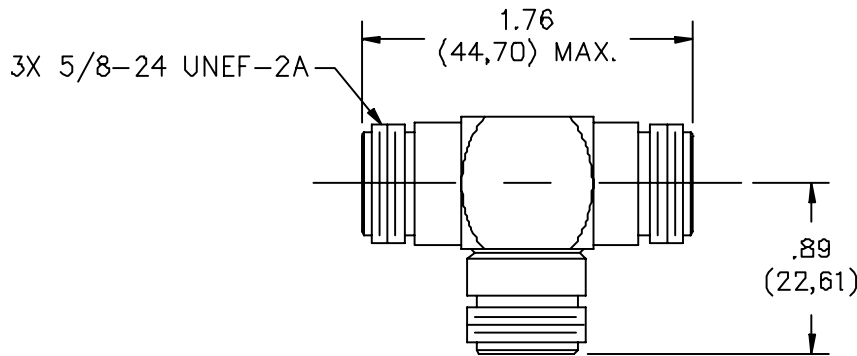


**Model 5089**  
**Adapter, N (F), "T"**



**MATERIALS:**

Body: Brass, White Bronze Plating  
 Center Contact: Gold Plated Beryllium Copper  
 Dielectric – PTFE  
 Finish: Body – Tarnish resistant  
 Center Contact – Gold Plated

**RATINGS:**

Operating Voltage: 1000 VRMS  
 Nominal Impedance: 50 Ohms

**ORDERING INFORMATION:** Model 5089

All dimensions are in inches. Tolerances (except noted): .xx = ±.02" (.51 mm), .xxx = ± .005" (.127 mm).  
 All specifications are to the latest revisions. Specifications are subject to change without notice.  
 Registered trademarks are the property of their respective companies.

Made in USA