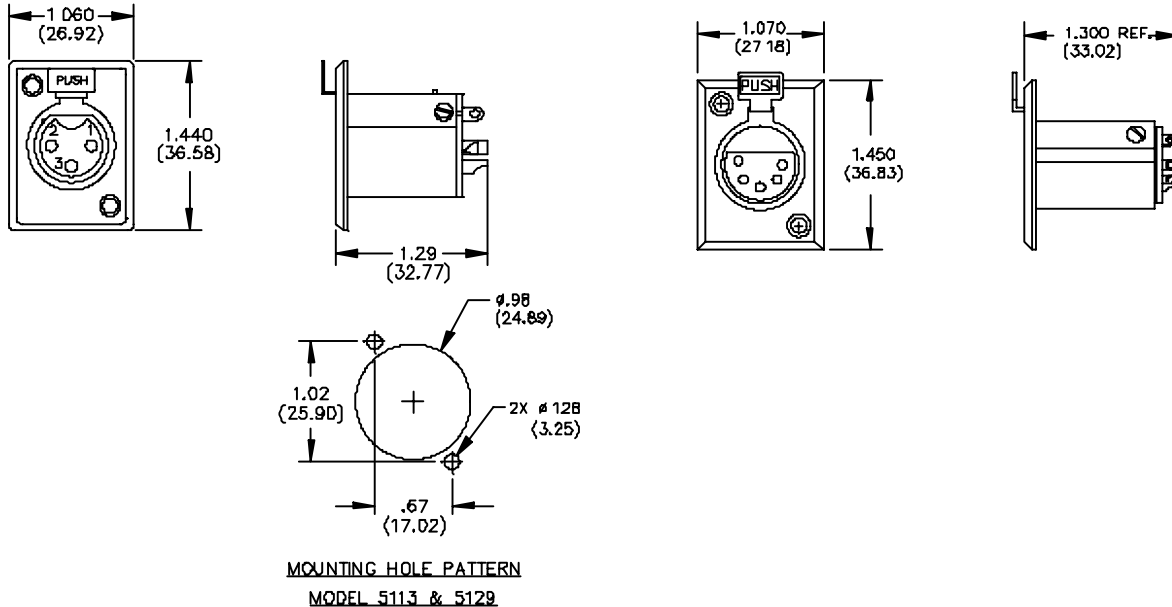


Model 5113 & 5129 Connector Audio, Wall Mount, Female, 3 & 5 Conductor



FEATURES:

- Model 5113 Mates to Model # 5110 straight cord male plug.
- Model 5129 Mates to Model # 5126 straight cord male plug.
- Wall or Floor mount receptacle.
- Model 5113 will accept standard 3 pin XLR male plugs.
- Model 5129 will accept standard 5 pin XLR male plugs.
- Durable Zinc Alloy housing.
- Accepts up to 14 AWG wire.

MATERIALS:

Housing: Zinc Alloy with a nickel finish

Contacts: Bronze with a Tin finish

Ground Tag: Steel

Insulator: Black Polyester

RATINGS:

Operating Voltage: 133 VRMS/DC.

Current: 15 Amperes.

ORDERING INFORMATION: Models 5113, 5129

All dimensions are in inches. Tolerances (except noted): .xx = ±.02" (.51 mm), .xxx = ±.005" (.127 mm).

All specifications are to the latest revisions. Specifications are subject to change without notice.

Registered trademarks are the property of their respective companies. Made in USA