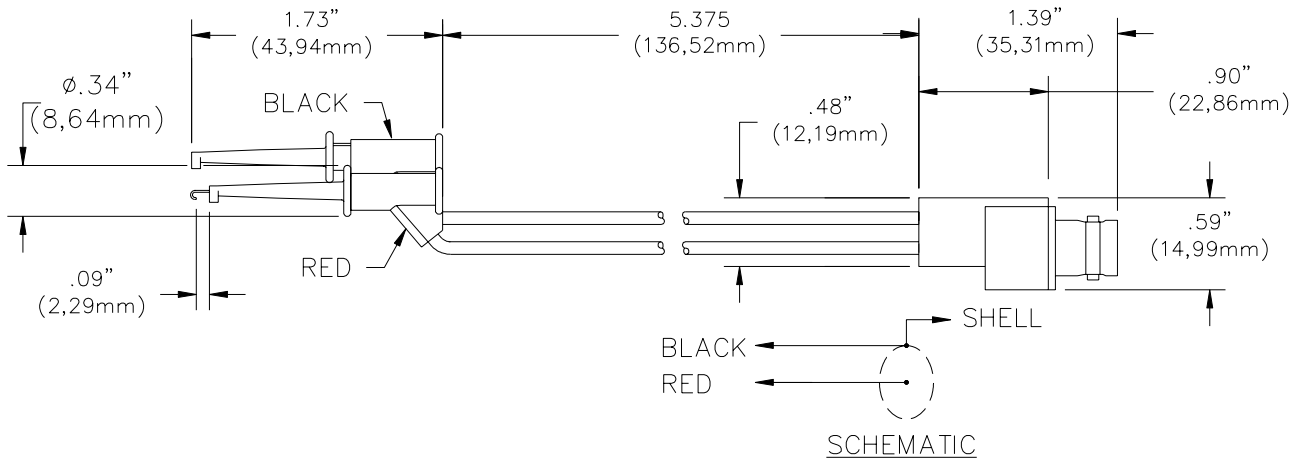


**Model 5188**  
**BNC (Female) To**  
**Micrograbber Test Clips** 



**FEATURES:**

- Breakout converts BNC (Male) cables/connectors to Micrograbber® test clips for test versatility
- BNC connector and Micrograbber test clip cap are molded directly to the wire for pull strength durability and dust/moisture resistance
- Micrograbber test clip hook is Beryllium Copper for superior strength
- Micrograbber test clip hook and BNC center contact are gold plated for optimum corrosion resistance and low contact resistance

**MATERIALS:**

BNC: Nickel plated Brass

Center Contact: Gold plated Beryllium Copper

Wire: 20 AWG, PVC

Marking: Model 5188

Micrograbber test clip:

Contact: Gold plated Beryllium Copper

Spring: stainless steel

Insulation: Glass filled nylon, color: one red, one black

**RATINGS:**

Operating Temperature: +55°C (+131°F) Max.

Operating Voltage: Hand-held testing: 30VAC/60VDC Max.

Hands free testing in controlled voltage environments: 150 VRMS

**ORDERING INFORMATION:** Model 5188

\*Custom lengths are available, contact Pomona Technical support: 800-241-2060

(Technicalsupport@pomonatest.com)

All dimensions are in inches. Tolerances (except noted): .xx = ±.02" (.51 mm), .xxx = ±.005" (.127 mm).

All specifications are to the latest revisions. Specifications are subject to change without notice.

Registered trademarks are the property of their respective companies.

Sales: 800-490-2361 Fax: 888-403-3360 Technical Assistance: 800-241-2060  
For "Where to Buy" information, visit the Pomona web site at [www.pomonaelectronics.com](http://www.pomonaelectronics.com)