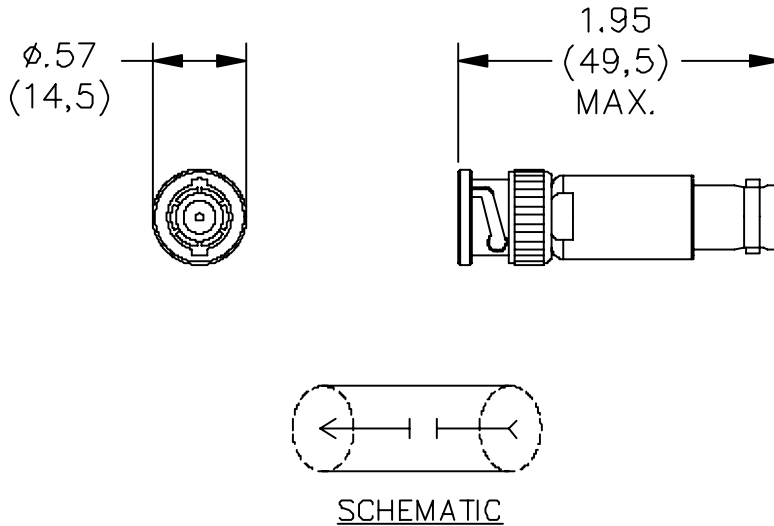




PEWA
 Messtechnik GmbH
 Weidenweg 21
 58239 Schwerte
 Tel.: 02304-96109-0
 Fax: 02304-96109-88
 E-Mail: info@pewa.de
 Homepage : www.pewa.de

Model 5297
BNC M/F With DC-Blocking
Series Capacitor



MATERIALS:

Body and Fittings – Gold Plated Brass, Male Contact – Gold Plated Brass, Female Contact – Gold Plated Beryllium Copper

Dielectric: Teflon per L-P-403

Finish: Body and Fittings: Tarnish resistant

Center & Intermediate contacts: Gold Plated

Outer Contact: Tarnish resistant

Marking: “Pomona 5297, 1000 pF”

Specifications: Capacitor – Tubular, 1000pF, $\pm 10\%$, 600 VDC

RATINGS:

Operating Voltage: Shield/Earth: 30VAC/60VDC Max.

Operating Temperature: +102°C. (+216°F.) Max.

Capitance: 1000 pF

Frequency Range: DC to 500 MHz.

ORDERING INFORMATION: Model 5297

All dimensions are in inches and metric. All specifications are to the latest revisions. Specifications are subject to change without notice. Registered trademarks are the property of their respective companies. Made in USA