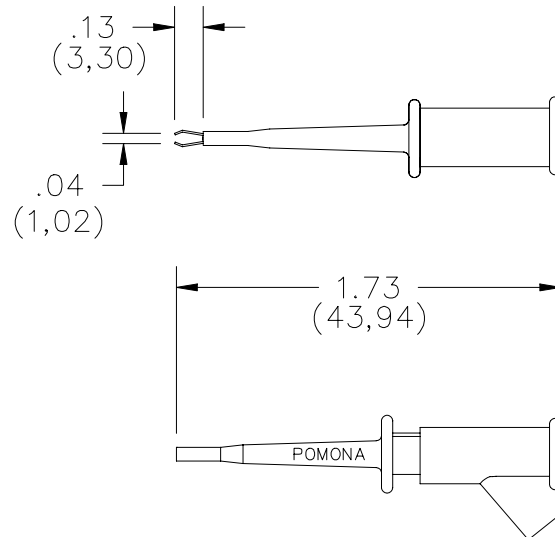


## Model 5360 SMD Grabber® Test Clip



### FEATURES:

- The SMD Grabber® Test Clip is especially suited for testing surface mounted packages on centers as small as 0.635mm (.025in).
- Pincer-like contact grasps individual legs of SMD's such as the SOIC, SOJ, PLCC, etc.
- Its circular design and small size have been developed for easy use and handling.
- Mates with Model #4772 or 4741 square pin receptacles.

### MATERIALS:

#### 1<sup>st</sup> End:

Contact: Stainless steel, selectively gold plated.

Insulation: Glass filled Nylon

#### 2<sup>nd</sup> End:

Square pin, phosphor bronze, gold plated.

### RATINGS:

Operating Temperature: +102°C (+216°F) Max

Operating Voltage: 30VAC/60VDC

Current: 0.5 Amperes

### ORDERING INFORMATION: Model 5360-\*

\*=Color, -0 Black, -2 Red

Additional colors can be quoted upon request.

Ordering Example: 5360-2 Color is Red

All dimensions are in inches. Tolerances (except noted): .xx = ±.02" (.51 mm), .xxx = ±.005" (.127 mm).

All specifications are to the latest revisions. Specifications are subject to change without notice.

Registered trademarks are the property of their respective companies. Made in USA