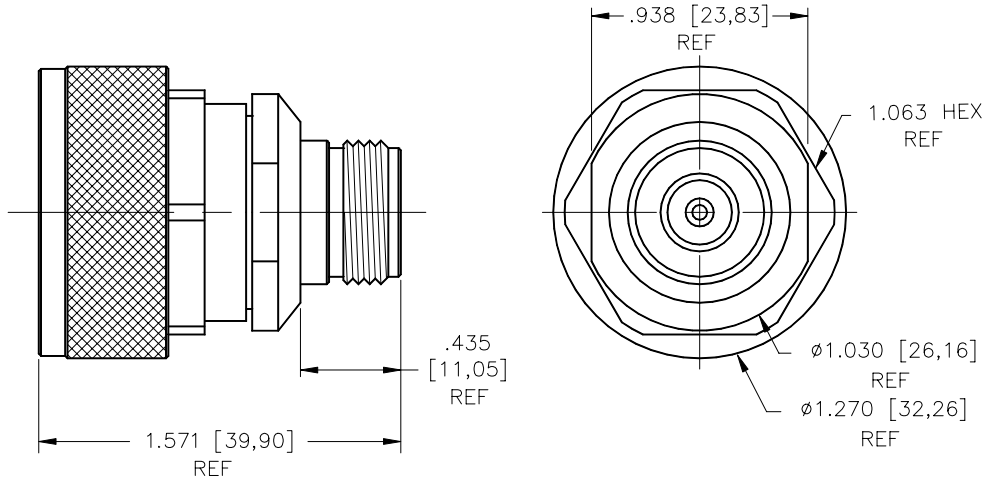


**Model 6257**  
**7/16 DIN Adapter**  
**7/16 DIN Male To N Female**



Pomona's 7/16 DIN adapters are made in the US and feature silver plated brass bodies, Teflon insulation and silver plated, Beryllium Copper female and brass male center contacts.



**RATINGS:**

Impedance: 50 Ohms  
Frequency Range: DC - 7.5 GHz  
Insertion Loss:  $-.01 \text{ dB } \sqrt{\text{Frequency GHz}}$   
VSWR (Max):  $< 1.10:1 @ \text{DC} - 7.5 \text{ GHz}$   
3<sup>rd</sup> Order IM -dBc:  $> -150 \text{ dBc}$

**MATERIALS:**

Bodies and Fitting – Brass, per QQ-B-626  
Finish – Silver, QQ-S-365

**FEATURES:**

- Reduced intermodulation generation
- Improved VSWR
- More stable electrical and mechanical connection over type N
- Peak power rating of 40 kW compared to 10kW for type N
- Higher contact pressure means lower contact resistance and better heat dissipation for greater average power handling
- Greater resistance to environmental forces
- Coupling mechanism provides higher contact pressure and full circumference contact
- Longer, more durable and long-term reliable conductors
- Longer service life under harsh conditions
- Interface dimensions and coupling nut torque is 10 times greater than type N

**ORDERING INFORMATION:**

Model 6257

All dimensions are in inches. Tolerances (except noted): .xx =  $\pm .02$ " (.51 mm), .xxx =  $\pm .005$ " (.127 mm).  
All specifications are to the latest revisions. Specifications are subject to change without notice.  
Registered trademarks are the property of their respective companies. Made in USA