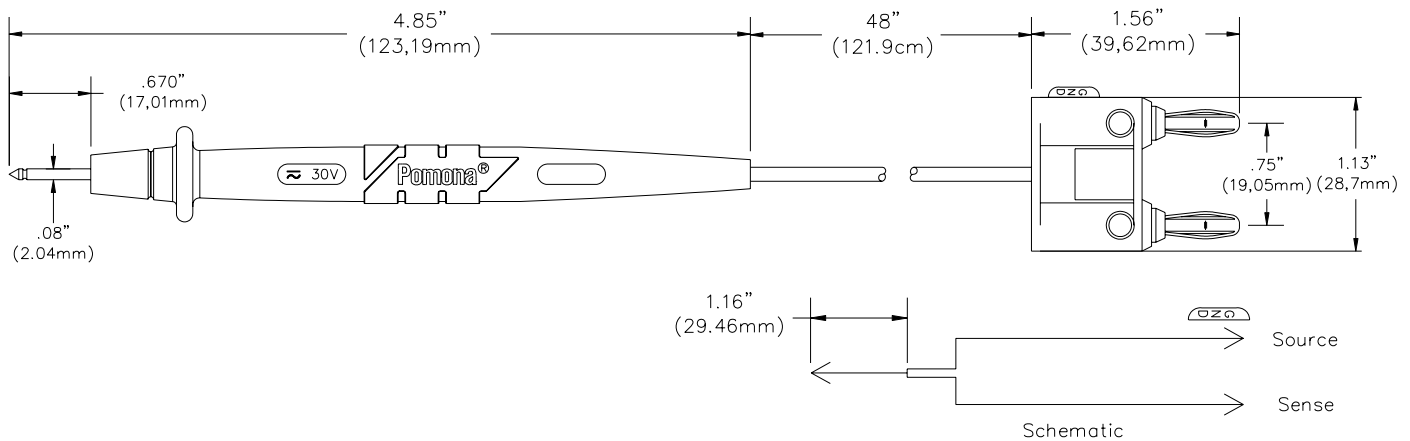


Model 6303 4-Wire Kelvin Probe Set with Double Banana Plug Leads



FEATURES:

- ✓ Kelvin probe configuration reduces the voltage drop in test leads, minimizing measurement inaccuracies, making them excellent for low resistance measurements.
- ✓ Single probe tip is ideal for testing surface mount and small components.
- ✓ Probe tips and banana plugs are gold plated Beryllium Copper for low contact resistance.
- ✓ Shielded coaxial cable reduces electrostatic interference.
- ✓ Probe overmolded with Santoprene® rubber for handling comfort, added insulation protection and cable strain relief.
- ✓ Compatible with 4-wire test instruments with .75" (19,05mm) spacing between "Source" and "Sense" terminals.

MATERIALS:

Probe Body:

Outer Insulation- Gray Santoprene® Rubber

Inner Insulation- Polypropylene, One Black, One Red

Tip- Gold plated Beryllium Copper

Banana Plug:

Body- Gold Plated Brass

Spring- Beryllium Copper, Gold Plated

Insulation- Polypropylene, Color: One Black, One Red

Cable: RG174/U Length: 48" (122cm), O.D. 0.100 (2,54mm)

RATINGS:

For CE compliance: not intended for hand-held use at voltages above 33 Vrms/70 Vdc.

ORDERING INFORMATION:

Model 6303 (includes a set of one black and one red test lead)

All dimensions are in inches. Tolerances (except noted): .xx = ±.02" (.51 mm), .xxx = ±.005" (.127 mm).

All specifications are to the latest revisions. Specifications are subject to change without notice.

Registered trademarks are the property of their respective companies.

Sales: 800-490-2361 Fax: 888-403-3360 Technical Support: 800-241-2060 (technicalsupport@pomonatest.com)

For "Where to Buy" information, visit the Pomona web site at www.pomonaelectronics.com