

## Models 6854 XLR (F) 5-pin Rectangular Flanged Panel Mount



Model 6854 XLR (F) 5-pin rectangular flanged mount

Protect contacts and absorb vibrations in your audio applications.

### Features

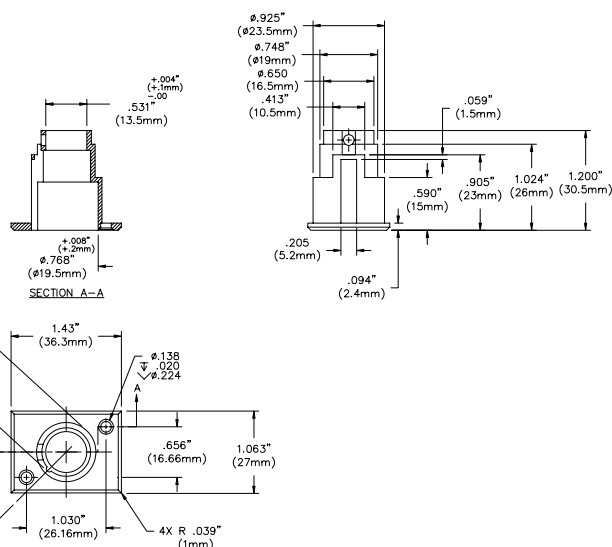
- 3-pin XLR panel mount with sturdy all metal one piece design.
- Solder cup terminations.
- Low contact resistance.
- Front mountable.

### Materials

- Housing is die cast zinc alloy with tarnish resistant nickel plating.
- Contacts are bronze with tin finish (Ground tab is steel).

### Ordering Information

Model: 6854.



### Specifications

Number of contacts	5
Contact resistance	< 5 mΩ
Dielectric strength	1500 V dc
Wire size (AWG)	18 AWG (2.0 mm <sup>2</sup> ) max.

USA: Sales: 800-490-2361 Technical Support: 800-241-2060 Fax: 888-403-3360

Europe: 31-(0) 40 2675 150 International: 425-446-5500  
e-mail: [technicalsupport@pomonaest.com](mailto:technicalsupport@pomonaest.com)

Where to Buy: [www.pomonaelectronics.com](http://www.pomonaelectronics.com)

All dimensions are in inches. Tolerances (except noted):  $.xx = \pm .02''$  (.51 mm),  $.xxx = \pm .005''$  (.127 mm). All specifications are to the latest revisions. Specifications are subject to change without notice. Registered trademarks are the property of their respective companies.