



**Models 6869-180, 6869-300**  
**XLR Plug / Jack (3-pin) Cable 15 feet, 25 feet**



Model 6869-180\*, -300\*: XLR Plug/Jack Cable 15 feet, 25 feet

\*Length of cable only.

**Connect your audio applications**

**Features**

- Audio cable includes 3-pin male and female connectors.
- Black streamlined profile with compact shell. Rugged construction.
- Flexible and soft low-noise cable.

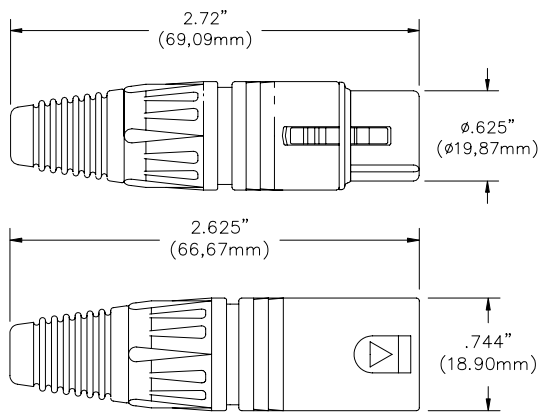
**Materials**

- XLR connector bodies are die-cast zinc alloy with tarnish resistant black-nickel finish.
- Strain relief clamp designed for durability: POM (Polyoxymethylene).
- Contacts are gold-plated brass.
- Cable is made of soft PVC low-noise microphone cable.

**Ordering Information**

Model: 6869-180, 6869-300

**USA:** Sales: 800-490-2361 Technical Support: 800-241-2060 Fax: 888-403-3360  
**Europe:** 31-(0) 40 2675 150 **International:** 425-446-5500  
 e-mail: [technicalsupport@pomonaest.com](mailto:technicalsupport@pomonaest.com)  
**Where to Buy:** [www.pomonaelectronics.com](http://www.pomonaelectronics.com)



**Specifications**

Cable Type	Soft PVC low noise microphone cable.
Cable Lengths	6869-180: 180 in (15 ft or 4.572 meters) 6869-300: 300 in (25 ft or 7.62 meters)
Cable O.D.	6.0 mm (0.24 in)

All dimensions are in inches. Tolerances (except noted): .xx = ±.02" (.51 mm), .xxx = ±.005" (.127 mm). All specifications are to the latest revisions. Specifications are subject to change without notice. Registered trademarks are the property of their respective companies.