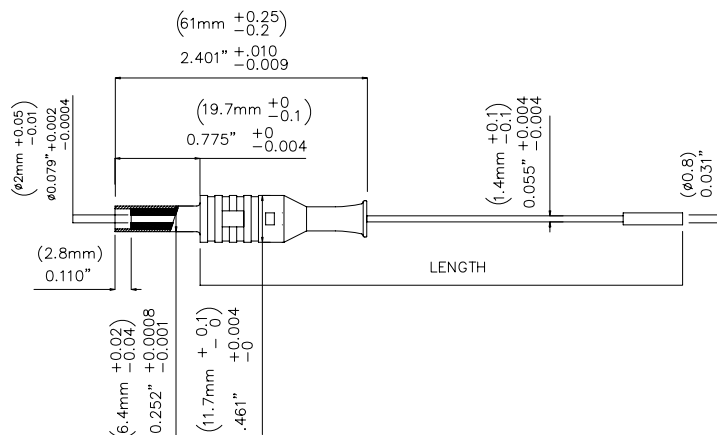


## Models 72904 Clip lead for Micro SMD Grabber



### Attach your Micro SMD Grabber to 2mm test leads

#### Features

- Clip lead for easy attachment of Micro SMD Grabber (72906) to test leads with 2mm plugs.
- 0.8mm female/2 mm female

#### Materials

- Connector Body is Nickel plated Brass.
- Connector insulation is Polypropylene
- 0.8mm Socket is Gold over Nickel plated Brass.
- Insulation of 0.8mm is Elastomere
- Wire is Silicone.

#### Ordering Information

Model: 72904-Color  
Available Colors: Black (-0), Red (-2)

#### Specifications

Max Current	Max. 2A
Max Voltage	33 V AC/70 V DC
Temperature	-20° C + 80° C
Max Resistance	Less than 8 mΩ

**Rating:** *hands free testing* in controlled environment:  
70Vrms max. For CE compliance: Not intended for hand-held use at voltages above 33Vrms/70Vdc

USA: Sales: 800-490-2361 Technical Support: 800-241-2060 Fax: 888-403-3360

Europe: 31-(0) 40 2675 150 International: 425-446-5500  
e-mail: [technicalsupport@pomonaest.com](mailto:technicalsupport@pomonaest.com)

Where to Buy: [www.pomonaelectronics.com](http://www.pomonaelectronics.com)

All dimensions are in inches. Tolerances (except noted): .xx = ±.02" (.51 mm), .xxx = ±.005" (.127 mm). All specifications are to the latest revisions. Specifications are subject to change without notice. Registered trademarks are the property of their respective companies.