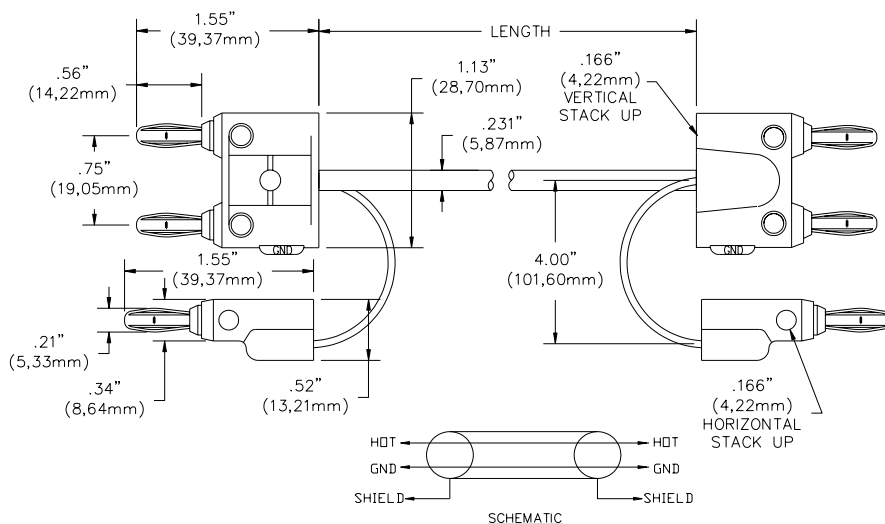


## Model 1167 Two Conductor Shielded Balanced line Patch Cable



### FEATURES:

- ✓ Cable is ideal in audio applications where a low impedance shielded balance line is desired.
- ✓ Banana plugs feature Beryllium Copper springs for long insertion life & can be stacked horizontally/vertically.
- ✓ Banana plugs are molded directly to the cable and wires for robust pull strength.

### MATERIALS:

Banana Plugs (Single and Double):

Body: Nickel Plated Brass

Spring: Nickel Plated Beryllium Copper

Insulation: Polypropylene, Color: Double – Gray, Single – Green

Two Conductors, Shielded Microphone Type Cable:

Two Conductors: 22 AWG, Standing 16 x 34 t.c.

Shield: Braided Tinned Copper

Jacket: PVC, O.D. .231" (5,87mm) Nom., Color: Gray

Shield Leads: 20 AWG, Stranding 41 x 36 t.c., PVC Insulated .087" (2,21mm) O.D., Color: Green

### RATINGS:

Operating Voltage: Hands free usage in controlled voltage environments: 1000 Vrms maximum. *For CE compliance: not intended for hand-held use at voltages above 33 Vrms/70 Vdc.*

Operating Temperature: +131°F (+55°C)

### ORDERING INFORMATION: Model 1167-Length

Length =: 18" (45,72cm), 24" (60,96cm), 30" (76,20cm), 36" (91,44cm), 48" (121,92cm), 60" (152,40cm).

*For custom lengths, contact Sales or send email request to: custom@pomonaest.com.*

All dimensions are in inches. Tolerances (except noted): .xx = ±.02" (.51 mm), .xxx = ±.005" (.127 mm).

All specifications are to the latest revisions. Specifications are subject to change without notice.

Registered trademarks are the property of their respective companies.

Sales: 800-490-2361 Fax: 888-403-3360 Technical Support: 800-241-2060 (technicalsupport@pomonaest.com)

For "Where to Buy" information, visit the Pomona web site at [www.pomonaelectronics.com](http://www.pomonaelectronics.com)