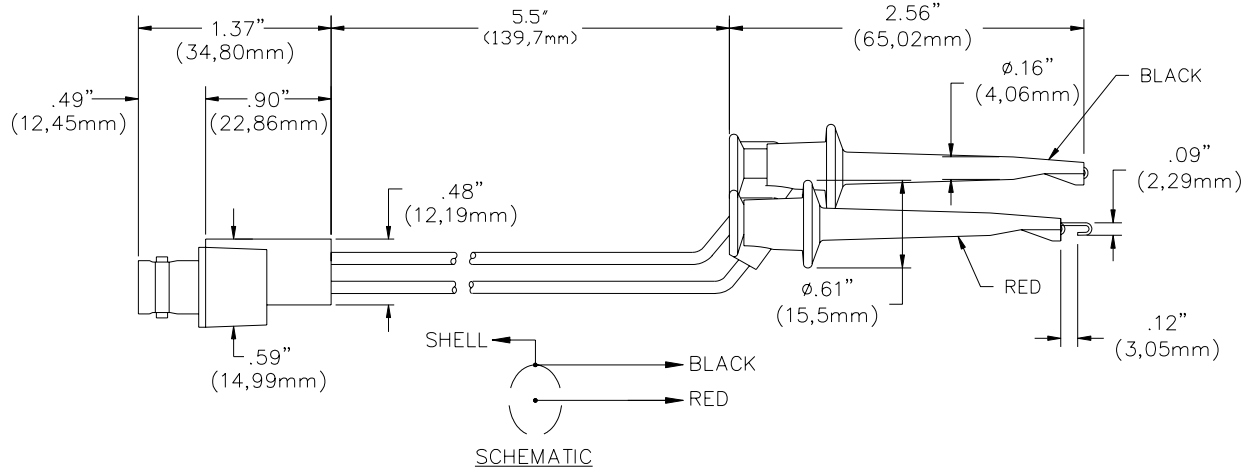


# Model 3788

## BNC Female to Minigrabber Test Clip Breakout

### FEATURES:

- Minigrabber® test clip hooks attach to terminal sizes up to .060" diameter
- Converts BNC (Male) cables to Minigrabber test clips for test versatility
- BNC connector and Minigrabber test clip caps are molded directly onto the wire for pull strength durability and dust and moisture resistance
- Minigrabber test clip hooks and BNC center contact are Beryllium Copper for superior strength.
- Gold plating of Minigrabber hooks and BNC center contact offers optimum corrosion resistance and low contact resistance to ensure test signal integrity.
- Black Minigrabber test clip to BNC shell, red Minigrabber test clip to BNC center contact.

### MATERIALS:

BNC: Nickel plated brass

Center Contact: Gold plated Beryllium Copper

Wire: 20 AWG, PVC

Marking: Model 3788

Minigrabber test clips:

Contact: Gold plated Beryllium Copper,

Spring: Stainless steel

Insulation: Nylon, color: red and black

### RATINGS:

Voltage: Hand-held testing: 30VAC/60VDC Max.

Hands free testing in controlled voltage environments: 300VRMS Max.

Operating Temperature: +55°C (+131°F) Max.

**ORDERING INFORMATION:** Model 3788

\*Custom lengths are available, contact Pomona Technical support: 800-241-2060  
(Technicalsupport@pomonatest.com)

All dimensions are in inches. Tolerances (except noted): .xx = ±.02" (.51 mm), .xxx = ±.005" (.127 mm).

All specifications are to the latest revisions. Specifications are subject to change without notice.

Registered trademarks are the property of their respective companies.

Sales: 800-490-2361 Fax: 888-403-3360 Technical Assistance: 800-241-2060  
For "Where to Buy" information, visit the Pomona web site at [www.pomonaelectronics.com](http://www.pomonaelectronics.com)