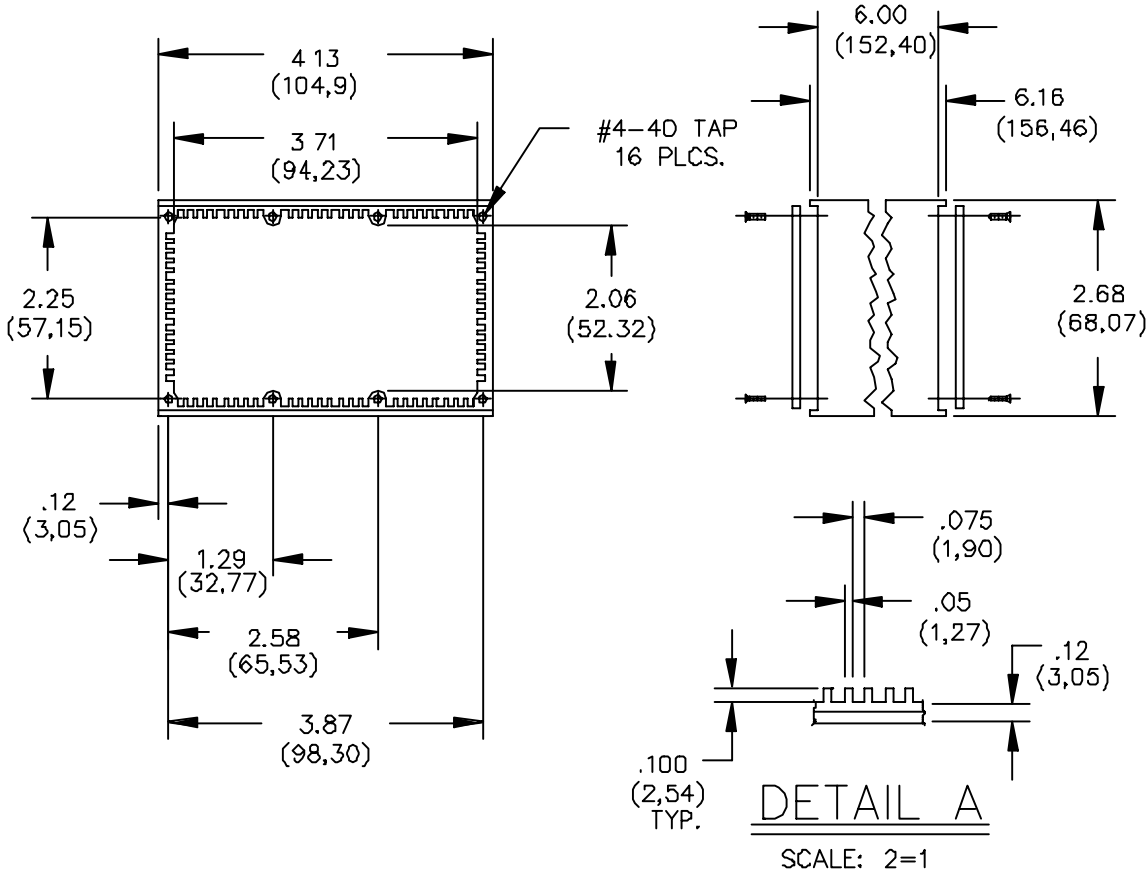




PEWA
 Messtechnik GmbH
 Weidenweg 21
 58239 Schwerte
 Tel.: 02304-96109-0
 Fax: 02304-96109-88
 E-Mail: info@pewa.de
 Homepage : www.pewa .de

Model 3743
Unpainted Shielded Housing,
6" High With Card Guides



MATERIALS:

Shielded Housing: Extruded Aluminum, Alloy 6063-T5
 Finish: None
 Cover: 2 each, 2.03 (.080) thick Aluminum, Alloy 1100-H14
 Finish: Clear anodized per MIL-A-8625
 Screws: 16 each, #4-40 x 6.35 (1/4) Flat Head

RATINGS:

Operating Temperature: -55°C to +150°C (-67° to +302°F)

ORDERING INFORMATION: Model 3743

All dimensions are in inches. Tolerances (except noted): .xx = ±.02" (.51 mm), .xxx = ± .005" (.127 mm).
 All specifications are to the latest revisions. Specifications are subject to change without notice.
 Registered trademarks are the property of their respective companies.

Made in USA

6/9/99

SY/EH/LS

S:\Engineering\Release\DataSheets\FlukeDataSheet\d3743_1_01.doc

Sales: 800-490-2361 Fax: 888-403-3360
 Technical Assistance: 800-241-2060

PomonaACCESS 90200 (800) 444-6785 or (425) 446-6010
 More drawings available at www.pomonaelectronics.com

Page 1 of 1